



Larger Selection

It's Clear...The Donaldson TopSpin™ Pre-Cleaner Can Maximize Your Intake System



TopSpin™ products are protected internationally by patents, trademarks, and design registrations, both issued and pending.

The aerodynamically designed TopSpin™ is made of a lightweight, durable, non-corroding material which makes it tolerant to all weather and operating conditions.

Keeping pace with rapid changes in vehicle operating efficiencies and payload capacities is no longer an option; it's a requirement.

Donaldson TopSpin works great for all types of equipment, from crawler tractors to farm tractors to skid steer loaders.

Extend your air filter and equipment life with TopSpin!



Donaldson TopSpin mounted on a grader.

Donaldson TopSpin will extend primary air filter life, boost system efficiency and extend engine life!

The see-through unit lets you view Donaldson TopSpin in operation.

Separates up to 85% of incoming contaminant per ISO 5011/SAE J726

- Greatly extends air filter life*
- Reduces air filter usage*
- Lowers cost per operating hour*
- Automatically ejects mixed debris*
- Separates more than 99% of 20 micron and above particles*

Operates at a lower RPM

- Less noise*
- Longer bearing life*
- Lower restriction*

Self-cleaning/self-scavenging

- No maintenance to clean bowl*
- No exhaust ejector required*

Easy installation

- Quick installation*
- One clamp to tighten*
- No wires or power requirements*

Dual mounted bearings

- More robust design*
- Extends bearing life*

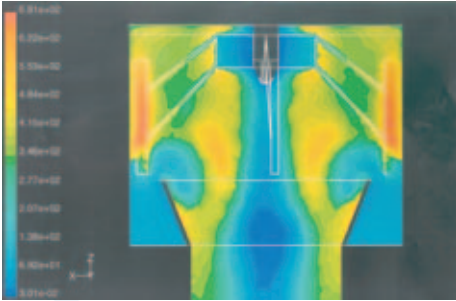
Lighter Weight

- Lighter than competitive pre-cleaners*
- Lighter than Donaldson full-view pre-cleaner*

PRE-CLEANER

Donaldson®

Real World Engineering



This CFD image was taken during the development process of Donaldson TopSpin.

During the product development process, Donaldson engineers used sophisticated flow analysis tools (Fluent CFD) to predict and simulate real-life flow conditions. Flow direction, velocity ranges, recirculation zone identification, and particle tracking and efficiency can be predicted with this analytical tool.

Donaldson TopSpin Extends The Life of Your Air Filter

If your vehicle already has a pre-cleaner, you obviously recognize its importance.

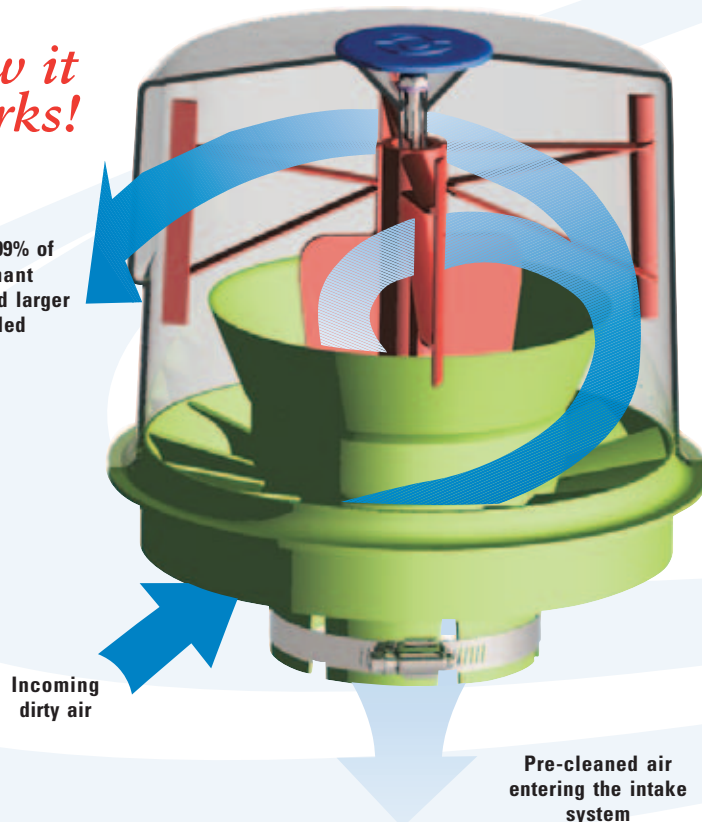
A pre-cleaner will extend your air filter's life, reducing your filter and overall operating costs. Donaldson TopSpin will separate a greater amount of debris and contaminant compared to competitive products.

The Donaldson TopSpin pre-cleaner separates:

- More than 99% of contaminant 20 micron and larger
- Up to 85% of coarse dust contaminant per ISO 5011/SAE J726 tests

How it Works!

More than 99% of contaminant 20 micron and larger is expelled

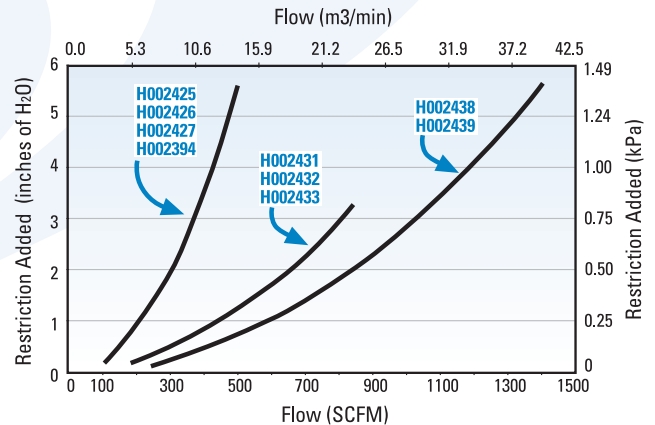
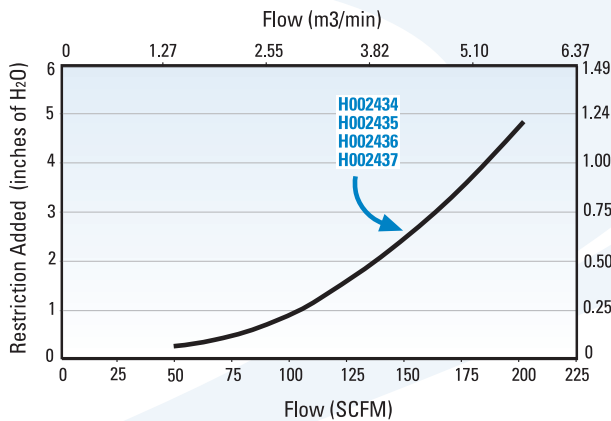


Donaldson TopSpin Reduces Pre-Cleaner Restriction

The Donaldson TopSpin pre-cleaner has the lowest restriction of any competitive brands tested, including our own full-view pre-cleaner.

Lower restriction means:

- Your engine “breathes” easier
- You can reduce air filter usage
- You will have lower costs per operating hour
- More dust loaded on the filter when serviced by restriction

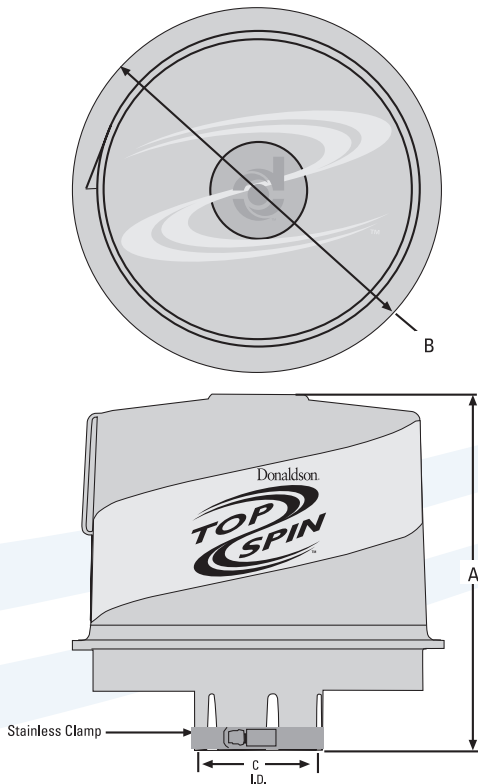


Operating temperature range:
 -40°F to 180°F (-40°C - 82°C)

Dimensional Specifications

Donaldson TopSpin can be mounted horizontally or vertically. Installation instructions, stainless clamp and warranty are included.

Outlet I.D. (C)		Overall Height (A)		Body Dia. (B)		Part Number	Operating Flow Range		Weight	
in.	mm	in.	mm	in.	mm		CFM	m ³ /min	lbs.	kg.
3.07	78	9.39	238	9.51	242	H002425	200-450	5.7-12.7	2.2	1.0
3.83	97	9.39	238	9.51	242	H002426	200-450	5.7-12.7	2.2	1.0
4.06	103	9.39	238	9.51	242	H002394	200-450	5.7-12.7	2.2	1.0
4.06	103	11.30	287	11.32	288	H002431	450-750	12.7-21.2	2.7	1.2
4.56	116	9.39	238	9.51	242	H002427	200-450	5.7-12.7	2.2	1.0
4.56	116	11.30	287	11.32	288	H002432	450-750	12.7-21.2	2.7	1.2
5.03	128	11.30	287	11.32	288	H002433	450-750	12.7-21.2	2.7	1.2
COMING SOON!										
2.03	56	5.75	146	6.38	162	H002434	90-200	2.5-5.7	1.0	0.4
2.27	58	5.75	146	6.38	162	H002435	90-200	2.5-5.7	1.0	0.4
2.53	64	5.75	146	6.38	162	H002436	90-200	2.5-5.7	1.0	0.4
3.03	77	5.75	146	6.38	162	H002437	90-200	2.5-5.7	1.0	0.4
6.03	153	13.57	345	15.62	297	H002438	750-1500	21.2-42.5	6.0	2.7
7.03	179	13.57	345	15.62	297	H002439	750-1500	21.2-42.5	6.0	2.7



SCFM = Standard Cubic Feet per Minute. The ISO 5011/SAEJ726 test procedure was used to extract the results in the charts above. The ISO 5011/SAEJ726 is a widely accepted industry test used by OEMs to evaluate the efficiency of the intake system components. Test results are an average from testing several units.

Cross references from the Donaldson full view pre-cleaner to a TopSpin pre-cleaner can be found on the back page.

Eliminate Bowl Dumping!

If your equipment has one of Donaldson's original full-view pre-cleaners, switching to a TopSpin Pre-Cleaner can eliminate the routine task of emptying the bowl.



Donaldson Full-View Pre-Cleaners

Donaldson Offers a Variety of Pre-Cleaners

In addition to the Donaldson TopSpin, other styles and types of pre-cleaners are available from Donaldson for a wide variety of equipment.



Full-View Pre-Cleaner	TopSpin™ Pre-Cleaner
H000820	H002425
H000821	H002426
H000858	H002394
H000823	H002427
H001250	H002435
H001251	H002436
H001249	H002437
H001823	H002434
H002043	H002433
H002044	H002432
H002045	H002431
H002223	H002438
H002224	H002439

Contact Donaldson or your local Donaldson distributor for pricing and availability.



Donaldson

Donaldson Company, Inc.
Minneapolis, MN
55440-1299

www.donaldson.com

©2003
Printed in the U.S.A.
Equal Opportunity Employer
Donaldson Company, Inc. reserves the right to change or discontinue any model or specification at any time and without notice.

United States & Canada
Tel: 800-374-1374
www.donaldson-filters.com

Mexico
Tel: 52-55-5557-8128

Italy
Tel: 39-0-386-30211

Germany
Tel: 492-594-7810

United Kingdom
Tel: 44-1482-835-213

Belgium
Tel: 32-16-38-3811

Latin America & Caribbean
Tel: 952-887-3149

Hong Kong
Tel: 852-2-402-2830

Singapore
Tel: 65-6546-4400

South Africa
Tel: 27-21-530-2900

Australia
Tel: 612-4352-6677