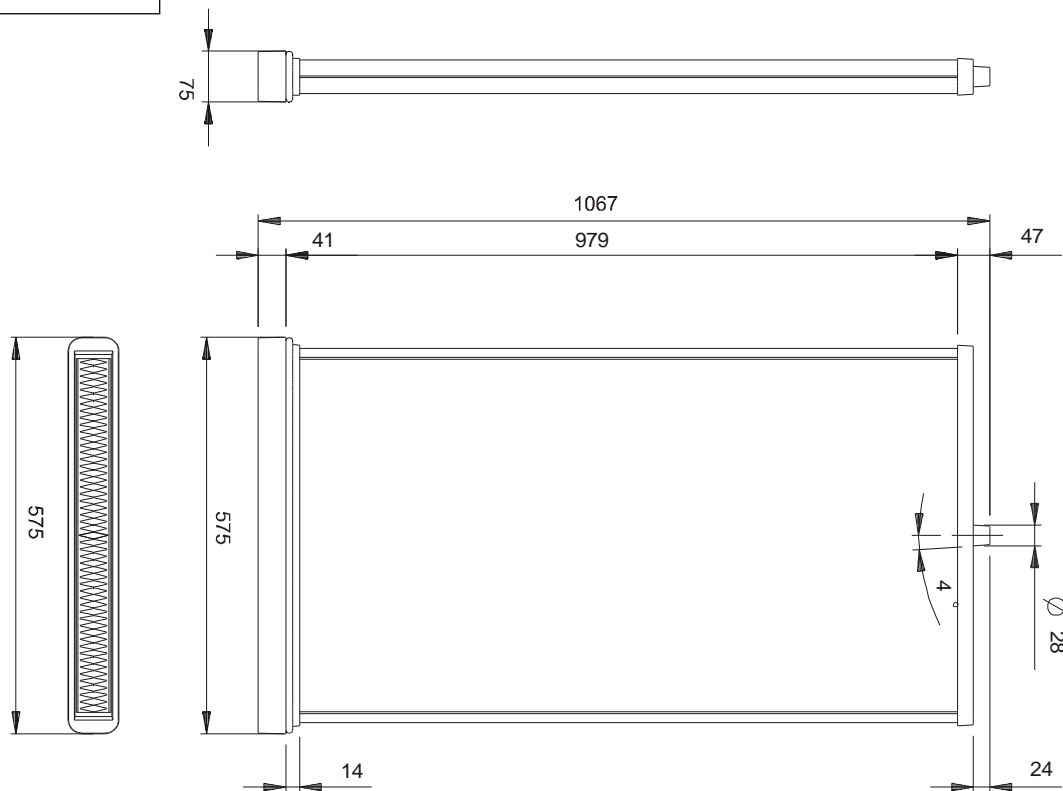


Replacement Element: Panel



Replacement Element
Handte panel



Media possibilities:

- Torit-Tex
- Torit-Tex Anti-Static
- Ultra-Web on Spun-Bond
- Ultra-Web on Spun-Bond Anti-Static



www.donaldson.com

Humberstone Lane
Thurmaston
Leicester LE4 8HP
England

Tel +44 (0)116 269 6161

Fax +44 (0)116 269 3028

Email: IFS-uk@emea.donaldson.com

Research Park Zone 1
Interleuvenlaan 1
B-3001 Leuven (Heverlee)
Belgium

Tel +32 (0)16 383 970

Fax +32 (0)16 383 938

Email: IFS-europe@emea.donaldson.com