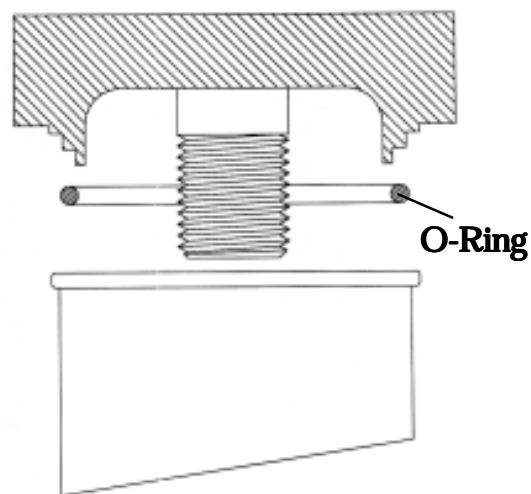


Use only one of the following installation methods.

O-Ring Gasket (P166435)

Use with: Donaldson HBK05 series filter heads



3 Easy Steps

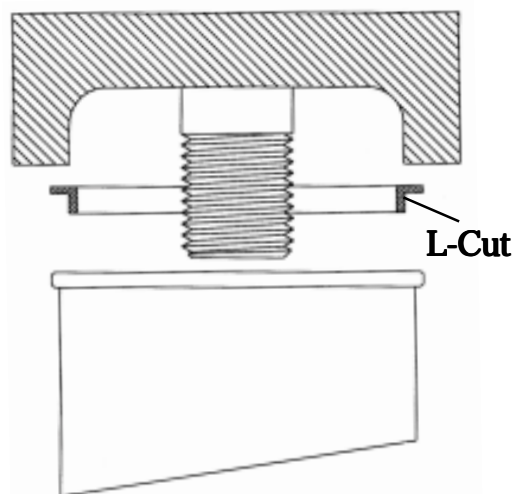
1. Remove used gasket and clean gasket seat in head; Apply clean oil to new surfaces.
2. Install new gasket on inside lip of filter.
3. Screw on new filter until gasket makes contact; Tighten filter until top edge makes metal to metal contact with filter head (approximately 1.5 additional turns)

Remember...

- Over-tightening filter may damage head.
- Dispose of used filter properly.

L-Cut Gasket (P179354)

Use with: Donaldson LPS05 series filter heads and some non-Donaldson heads



3 Easy Steps

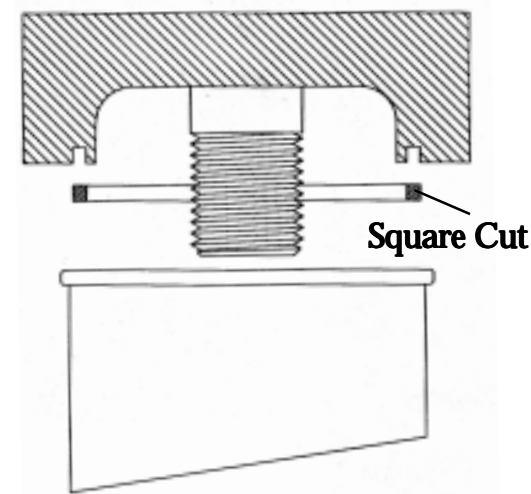
1. Remove used gasket and clean sealing surface; Apply clean oil to new gasket surfaces.
2. Install new gasket on inside lip of filter.
3. Screw on new filter until gasket makes contact; Tighten filter an additional 3/4 turn.

Remember...

- Over-tightening filter may damage head.
- Dispose of used filter properly.

Square-Cut Gasket (P165641)

Use with: Some non-Donaldson spin-on filter heads. Use with discretion.



3 Easy Steps

1. Remove used gasket and clean groove in head; Apply clean oil to new gasket surfaces.
2. Install new gasket into groove in filter head.
3. Screw on new filter until gasket makes contact; Tighten filter an additional 3/4 turn.

Remember...

- Over-tightening filter may damage head.
- Dispose of used filter properly.