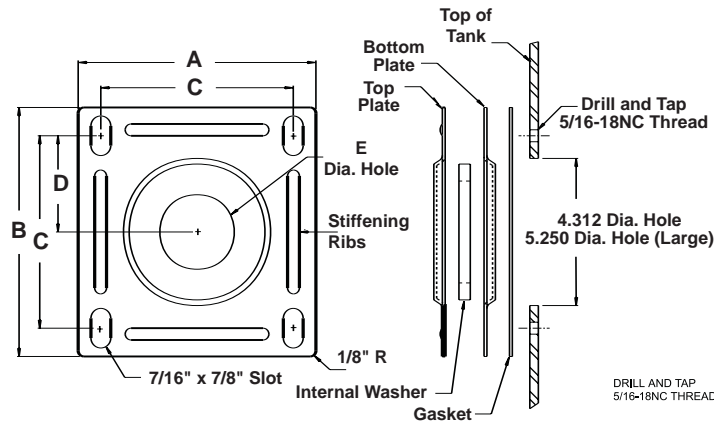
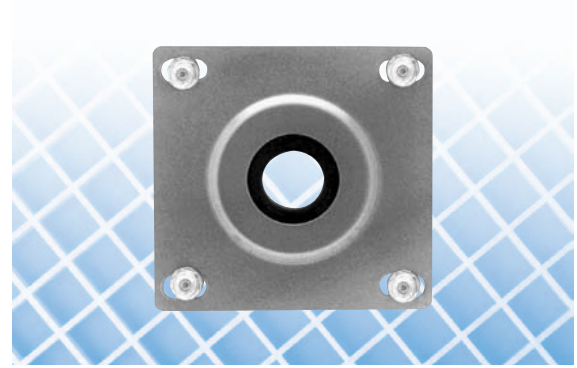


Flanges

Features

These Suction and Return Flanges with zinc-plated steel stamping are designed for tank top mounting with an air gap at the top of the reservoir. Flanges provide a seal to the pipe and reservoir without welding. Each flange provides access to the inside of the reservoir to service in-tank immersed suction strainers and diffusers.



Suction Flanges

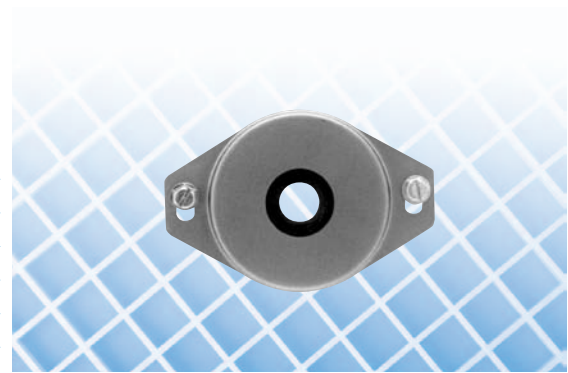
Donaldson Part No.	LHA Part No.	Dimensions (inches)					Nominal Pipe Size
		A (in./mm)	B (in./mm)	C (in./mm)	D (in./mm)	E (in./mm)	
P562641	SF-1360	4.25/108	5.25/133	5.50/140	4.25/108	0.44/11	1/2"
P562642	SF-1361	4.25/108	5.25/133	5.50/140	4.25/108	0.44/11	3/4"
P562643	SF-1362	4.25/108	5.25/133	5.50/140	4.25/108	0.44/11	1"
P562644	SF-1363	4.25/108	5.25/133	5.50/140	4.25/108	0.44/11	1-1/4"
P562645	SF-1364	4.25/108	5.25/133	5.50/140	4.25/108	0.44/11	1-1/2"
P562646	SF-16	4.25/108	5.25/133	5.50/140	4.25/108	0.44/11	2"
P562647	SF-20	6.25/159	7.50/190	7.50/190	6.25/159	0.44/11	2-1/2"
P562648	SF-24	6.25/159	7.50/190	7.50/190	6.25/159	0.44/11	3"

Seal suction lines passing through the top plate of a hydraulic reservoir or similar application

- Includes:
- (1) top plate,
 - (1) internal washer,
 - (1) bottom plate,
 - (1) gasket, and
 - (4) 5/16-18 thread forming screws

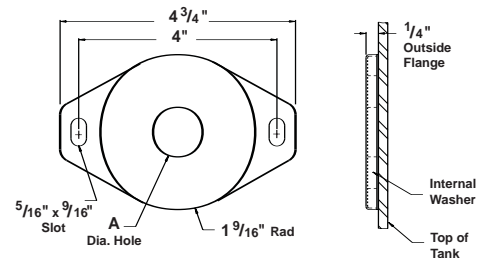
Return Flanges

Donaldson Part No.	LHA Part No.	Hole Dia. A	Pipe Size
P562634	RF-1369	1-3/16	1/2
P562636	RF-1370	1-3/4	3/4
P562637	RF-1371	1-3/4	1
P562638	RF-1372	2-1/2	1-1/4
P562639	RF-1373	2-1/2	1-1/2
P562640	RF-1374	2-1/2	2



Zinc-plated steel stamping
Designed to seal return lines passing through the top plate of a hydraulic reservoir or similar application

Includes:
(1) flange,
(1) internal washer,
(2) 1/4-20 thread forming screws



Weld Risers

Donaldson Part No.	LHA Part No.	Length
P562668	WR-5565	1.13"
P562669	WR-5565-304SS	1.13" Stainless Steel (304)

Steel stamped construction
Predrilled holes align with standard breather tank flanges
Provides for easy installation of filler breathers

