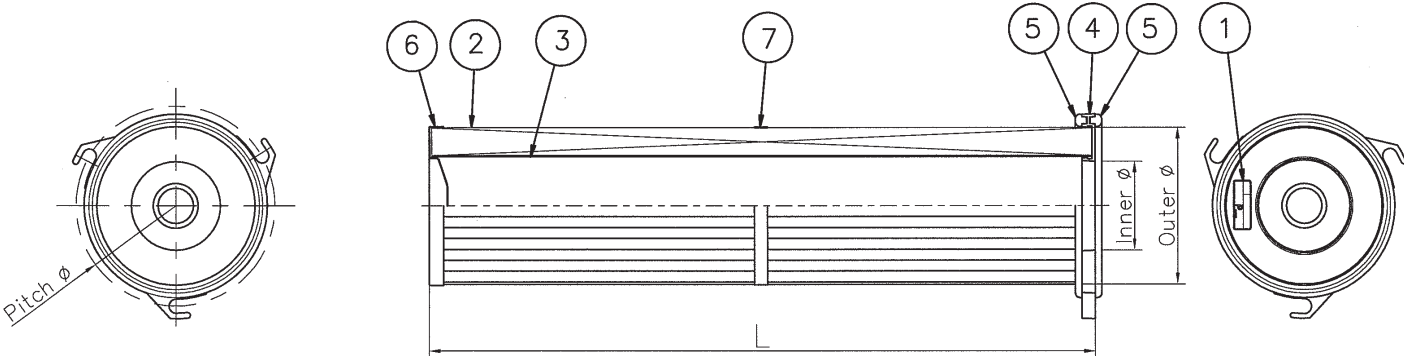


# Replacement Elements Cartridges

**SERIES 145**



**Quick Fix 3 top flange  
Closed bottom**

**SPECIFICATION**

| Item | Description             | Symbol  | Dimension                 |
|------|-------------------------|---------|---------------------------|
| 1    | Marking                 | L       | 300, 600, 1000 or 1200 mm |
| 2    | Media pack              | Inner Ø | 80 mm                     |
| 3    | Inner liner             | Outer Ø | 142 mm                    |
| 4    | Top end cap – quick fix | Pitch   | 180 mm                    |
| 5    | Gasket (top and bottom) |         |                           |
| 6    | Bottom end cap (closed) |         |                           |
| 7    | Outer strap             |         |                           |

| Media alternatives: |                  |
|---------------------|------------------|
| ■                   | Ultra-Web® SB    |
| ■                   | Ultra-Web® SB AS |
| ■                   | BonDura™         |
| ■                   | BonDura™ AS      |

