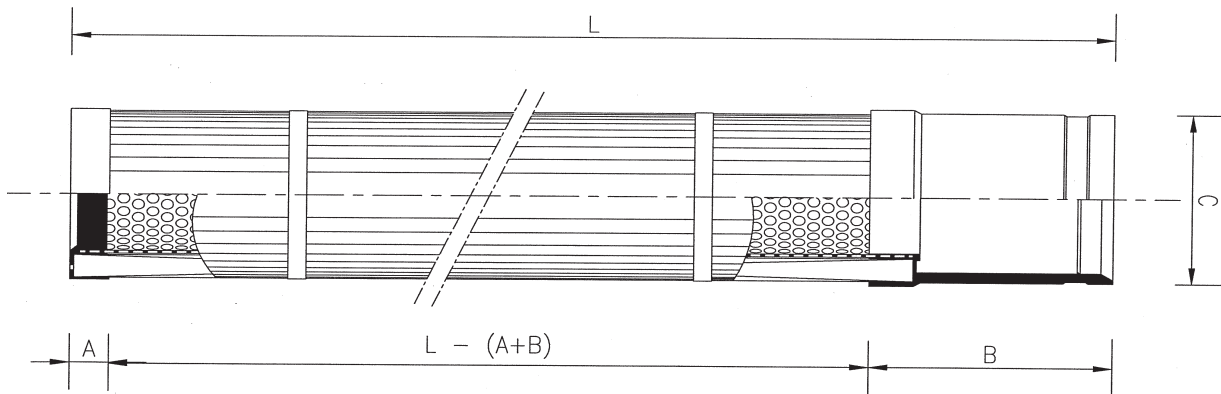


Pleated bags



Bottom load



Bottom Load

Description	L (mm)	Surface (m ²)
A = 25 mm	645	0.50
B = 165 mm	1153	1.07
C = 117.4 mm	1661	1.64
	2169	2.20

Media Possibilities

L (mm)	UW SB (82°C)	Torit-Tex (82°C)	Bondura (82°C)	High Temp (121°C)
645	x	x		UW SB
1153	x	x		UW SB
1661	x	x		UW SB
2169		x	x	Bondura



www.donaldson.com

Humberstone Lane
Thurmaston
Leicester LE4 8HP
England

Tel +44 (0)116 269 6161

Fax +44 (0)116 269 3028

Email: IFS-uk@emea.donaldson.com

Research Park Zone 1
Interleuvenlaan 1
B-3001 Leuven (Heverlee)
Belgium

Tel +32 (0)16 383 970

Fax +32 (0)16 383 938

Email: IFS-europe@emea.donaldson.com