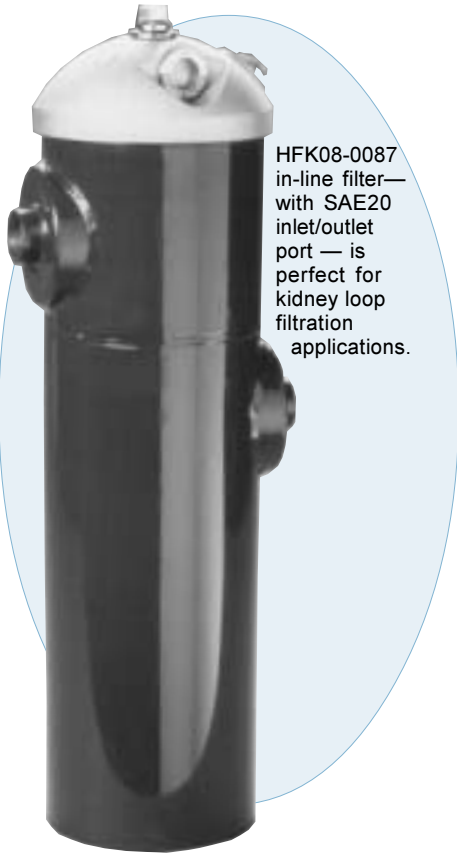


HFK08 Kidney Loop Filter



HFK08-0087 in-line filter— with SAE20 inlet/outlet port — is perfect for kidney loop filtration applications.

Dedicated Off-Line Circulation Loop, or Kidney Loop

One very effective way of ensuring thorough fluid conditioning is with a dedicated off-line circulation loop, or kidney loop, as illustrated below.

Widely used in industrial applications, this system uses a separate circulation pump that runs continuously, circulating and conditioning the fluid. Multiple stages and types of filters can be included in the circuit, as well as heat exchangers and in-line immersion heaters.

We've designed the HFK08-0087 model with features that make it perfect for kidney looping -- the SAE-20 port, 50 gpm flow capacity, and synthetic media.

Working Pressure to:

- 350 psi / 2400 kPa / 24 bar

Flow Range (return line)

- 50 gpm / 190 l/min

Beta Rating

- Performance to $\beta_{(2)}=75$

Porting Size

- SAE-20 O-Ring

Assembly Weight

- 34 lbs / 15.4 kg

Replacement Filter Length

- 18" / 457mm

Standard Bypass Rating

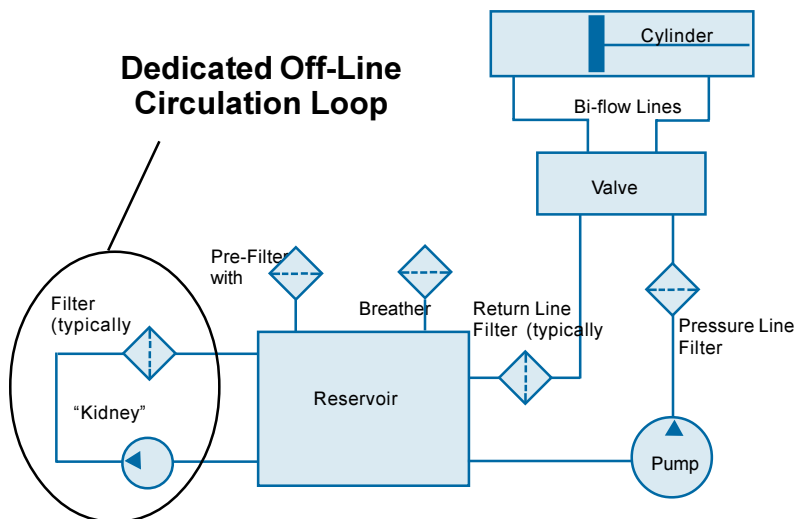
- 25 psi / 172.5 kPa / 1.7 bar

Operating Temperatures

- Synthetic media
-20°F to 250°F
-29°C to 121°C

Collapse Rating

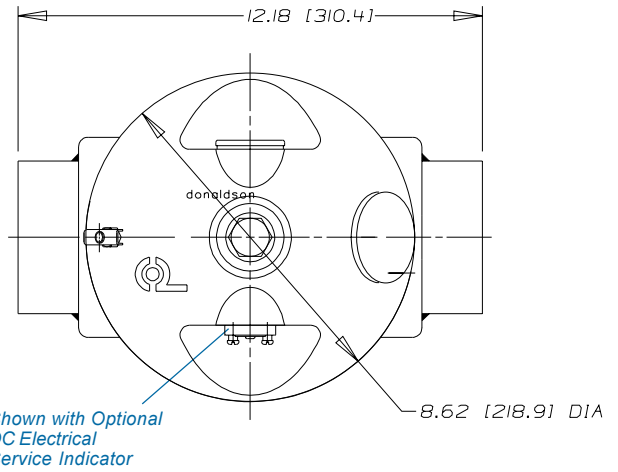
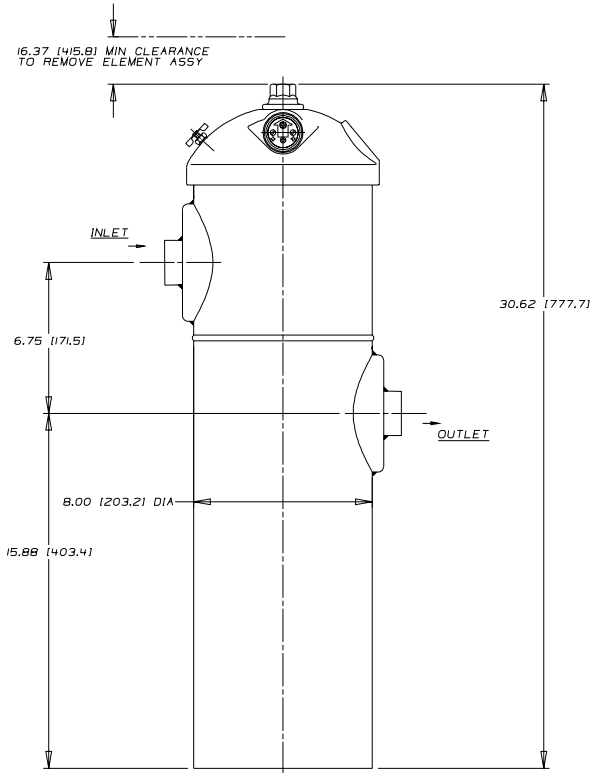
- 75 psi / 517 kPa / 5.2 bar



PORTABLE: One of the most common ways our distributors use this filter is to set up a kidney loop system on a filter cart that can be taken around to service several reservoirs.



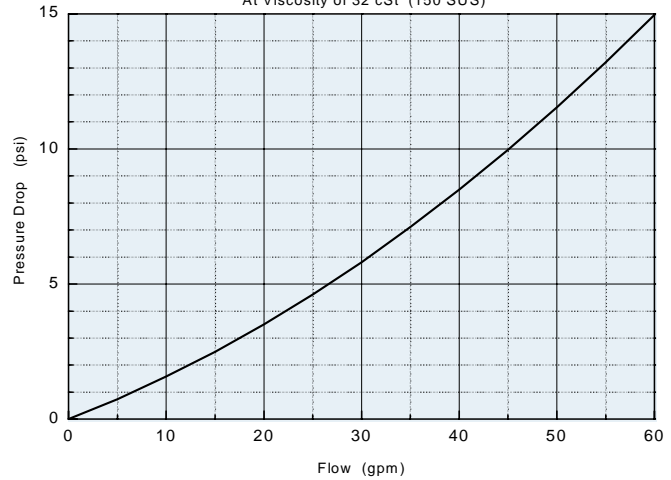
Electric motor & hydraulic pump not supplied by Donaldson. Photo courtesy of DK Mann & Associates.

Assembly - Side View

Head - Top View

Performance Data

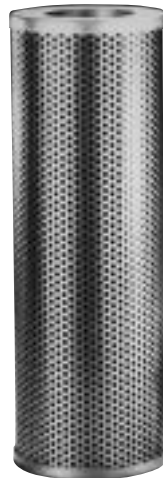
For a full explanation of how our performance

Pressure Drop of HFK080087 Hydraulic Filter Assembly
At Viscosity of 32 cSt (150 SUS)



This data reflects the performance of the P164405 filter cartridge.

In-stock Assembly K080087 contains the P164405 Synteq® filter. Other media choices are listed below.



Replacement Filter Choices

Media Number	Media Technology	B _(x) = 2/20/75 Rating	Part Number
No. ½	Synteq®	<2/<2/2	P164405
No. 2	Synteq®	2/3/5	P166462
No. 2½	Synteq®	2/7/10	P176222
No. 4	Synteq®	4/12/15	P164701
No. 6	Synteq®	5/10/13 with Viton seal (lead time applies)	P164407