

# Filler Breather Assemblies



## Features

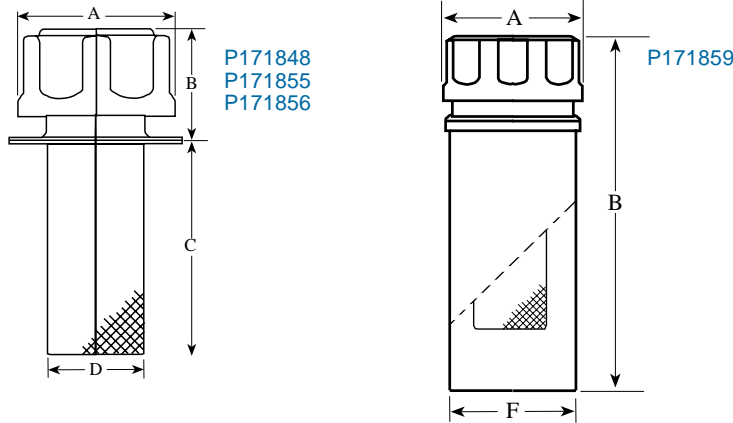
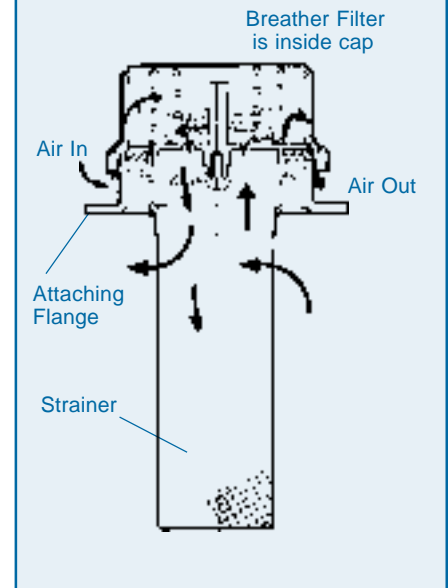
Removable 500µm mesh strainer. (Except model P171848, which has a non-removable strainer.)

10 µm air breather/filter.

Models P171855 & P171848 include drilled flanges with attaching screws.

## How They Work

As fluid levels rise and fall inside the reservoir, air flows in and out through the strainer and breather as shown below. The breather filter inside the cap removes contaminants as small as 10µm from the air to keep airborne contaminant from entering the fluid. The strainer removes large particles from fluid as it is added to the reservoir.



## Filler Breather Specifications

Part Number	FLANGE SPECIFICATIONS				FILLER BREATHER SPECIFICATIONS									
	Outer Dia. in	mm	No. of Holes	Hole Dia. in mm	Flow gpm	lpm	A		B		C		D	
P171848	2.01	51	3	.22 6	70	270	1.81	45	1.38	35	2.48	63	1.1	28
P171855	3.31	84	6	.22 6	124	470	2.76	70	1.81	46	3.94	100	1.5	38
P171856	3.31	84	n/a	n/a	124	470	2.76	70	1.81	46	3.94	100	1.15	38
P171859			n/a - weldable		124	470	2.76	70	n/a		7.09	180	2.50	64
P171860 *			n/a - weldable		124	470	2.76	70	n/a		7.09	180	2.50	64

\* For pressurized reservoirs