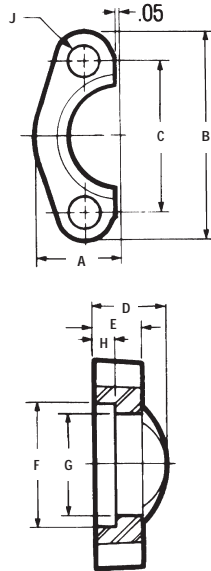


Split Flanges

Description:

Code 61 and Code 62
BunaN O-Ring

Each kit includes:
2 split flange halves
4 hex head mounting bolts
and lockwashers
1 BunaN O-Ring



Code 61

Donaldson Part No.	LHA Part No.	Flange Size (in./mm)	A (in./mm)	B (in./mm)	C (in./mm)	D (in./mm)	E (in./mm)	F (in./mm)	G (in./mm)	H (in./mm)	J (Dia.) (in./mm)	Mounting Hardware		Maximum Working Pressure
												O-Ring	Hex Head Cap Screw	
P563041	L-08SF-3	0.50 13	0.86 22	2.12 54	1.500 38	0.75 19	0.50 13	1.219 31	0.955 19	0.245 6	0.344 9	210	5/16-18x11/4	5000 psi 34500kPa
P563042	L-12SF-3	0.75 19	0.98 25	2.56 65	1.875 48	0.88 22	0.56 14	1.531 39	1.265 32	0.245 6	0.406 10	214	3/8-16x11/4	5000 psi 34500kPa
P563044	L-16SF-3	1.00 25	1.11 28	2.75 70	2.062 52	0.94 24	0.62 16	1.781 45	1.515 38	0.295 7	0.406 10	219	3/8-16x11/4	5000 psi 34500kPa
P563047	L-20SF-3	1.25 32	1.39 35	3.12 79	2.312 59	0.88 22	0.56 14	2.031 52	1.720 44	0.295 7	0.469 12	222	7/16-14x11/2	4000 psi 27580 kPa
P563050	L-24SF-3	1.50 38	1.58 40	3.69 94	2.750 70	1.00 25	0.62 16	2.406 61	2.000 51	0.295 8	0.531 13	225	1/2-13x11/2	3000 psi 20685 kPa
P563053	L-32SF-3	2.00 51	1.86 47	4.00 102	3.062 78	1.03 26	0.62 16	2.844 72	2.470 63	0.355 9	0.531 13	228	1/2-13x11/2	3000 psi 20685 kPa
P563056	L-40SF-3	2.50 64	2.09 53	4.50 114	3.500 89	1.50 38	0.75 19	3.344 85	2.950 75	0.355 9	0.531 13	232	1/2-13x13/4	2500 psi 17240 kPa
P563057	L-48SF-3	3.00 76	2.53 64	5.31 135	4.188 106	1.62 41	0.88 22	4.031 102	3.580 91	0.355 9	0.656 17	237	5/8-11x13/4	2000 psi 13790 kPa
P563058	L-56SF-3	3.50 89	2.70 69	6.00 152	4.750 121	1.12 28	0.88 22	4.531 115	4.030 102	0.422 11	0.656 17	241	5/8-11x2	500 psi 3450 kPa

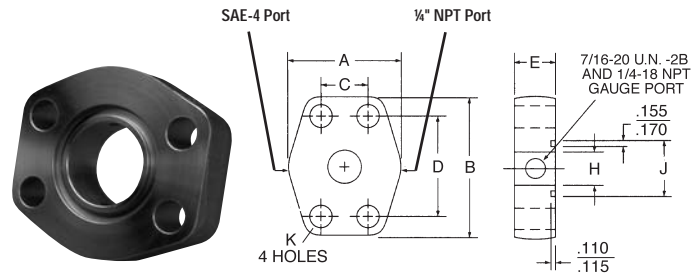
Code 62

Donaldson Part No.	LHA Part No.	Flange Size (in./mm)	A (in./mm)	B (in./mm)	C (in./mm)	D (in./mm)	E (in./mm)	F (in./mm)	G (in./mm)	H (in./mm)	J (Dia.) (in./mm)	Mounting Hardware		Maximum Working Pressure
												O-Ring	Hex Head Cap Screw	
P563043	L-12SFX-6	0.75 19	1.14 29	2.81 71	2.000 51	1.12 28	0.75 19	1.656 42	1.280 33	0.325 8	0.406 10	214	3/8-16x11/2	6000 psi 41370kPa
P563046	L-16SFX-6	1.00 25	1.33 34	3.19 81	2.250 57	1.31 33	0.94 24	1.906 48	1.530 39	0.355 9	0.469 12	219	7/16-14x13/4	6000 psi 41370kPa
P563049	L-20SFX-6	1.25 32	1.48 38	3.75 95	2.625 67	1.50 38	1.06 27	2.156 55	1.750 44	0.385 10	0.531 13	222	1/2-13x13/4	6000 psi 41370kPa
P563051	L-24SFX-6	1.50 38	1.83 46	4.44 113	3.125 79	1.69 43	1.19 30	2.531 64	2.030 52	0.475 12	0.656 17	225	5/8-11x21/4	6000 psi 41370kPa
P563054	L-32SFX-6	2.00 51	2.20 56	5.25 133	3.812 97	2.06 52	1.44 37	3.156 80	2.660 68	0.475 12	0.781 20	228	3/4-10x23/4	6000 psi 41370kPa

Gage Port Spacer

Description:

Code 61 and 62
Spacer block has 1/4" NPT gauge port
and SAE-4 gauge port

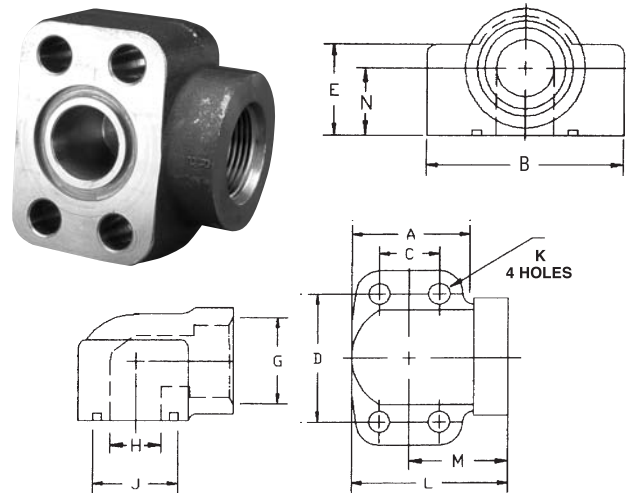


Donaldson Part No.	LHA Part No.	Type	Pad Size	A (in./mm)	B (in./mm)	C (in./mm)	D (in./mm)	E (in./mm)	H (in./mm)	J (in./mm)	K (in./mm)
P563188	SB-16-30	Code 61	1"/25mm	2.31/59	2.75/70	1.031/26	2.062/52	0.88/22	1.002/25	1.56/40	0.406/10
P563189	SB-20-30	Code 61	1.25"/32mm	2.87/73	3.12/79	1.188/30	2.312/59	0.94/24	1.252/32	1.75/44	0.469/12
P563191	SB-24-30	Code 61	1.5"/38mm	3.25/83	3.68/93	1.406/36	2.750/70	1.19/30	1.502/38	2.115/54	0.531/13
P563190	SB-20-60	Code 62	1.25"/32mm	3.06/78	3.75/95	1.250/32	2.625/67	1.50/38	1.252/32	1.75/44	0.531/13

Elbow Flanges

Description:

Code 61
NPT and SAE
BunaN O-Ring
Mounting hardware included



Code 61 NPT

Donaldson Part No.	LHA Part No.	Pad Size	A (in./mm)	B (in./mm)	C (in./mm)	D (in./mm)	E (in./mm)	G NPTF	H (in./mm)	J (in./mm)	K (in./mm)	L (in./mm)	M (in./mm)	N (in./mm)	Mounting Hardware O-Ring	SHCS
P563128	LI-16-16PE-30	1"/25mm	1.94/49	2.75/70	1.031/26	2.062/52	1.50/38	1.00/25	1.002/25	1.560/40	0.406/10	2.62/67	1.66/42	1.062/27	219	3/8-16x2.25
P563131	LI-24-24PE-30	1.5"/38mm	2.56/65	3.69/94	1.406/36	2.750/70	2.00/51	1.50/38	1.502/38	2.115/54	0.531/13	3.33/85	2.05/52	1.312/33	225	1/2-13x3.00
P563133	LI-32-32PE-30	2"/51mm	3.06/78	4.33/110	1.69/43	3.062/78	2.50/64	2.00/51	2.002/51	2.490/63	0.531/13	3.81/97	2.28/58	1.656/42	228	1/2-13x3.50

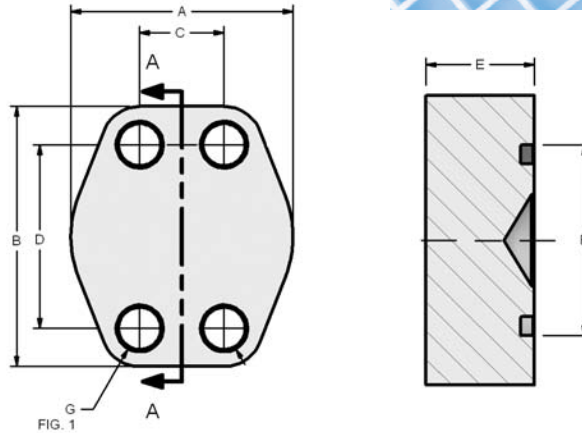
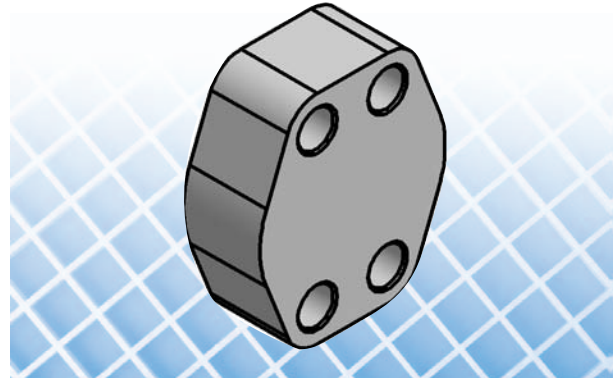
Code 61 SAE

Donaldson Part No.	LHA Part No.	Pad Size	A (in./mm)	B (in./mm)	C (in./mm)	D (in./mm)	E (in./mm)	G UN-2B	H (in./mm)	J (in./mm)	K (in./mm)	L (in./mm)	M (in./mm)	N (in./mm)	Mounting Hardware O-Ring	SHCS
P563129	LI-16-16SE-30	1"/25mm	1.94/49	2.75/70	1.03/26	2.062/52	1.50/38	1 5/16-12	1.002/25	1.560/40	0.406/10	2.62/67	1.72/44	1.062/27	219	3/8-16x2.25
P563130	LI-20-20SE-30	1.25"/32mm	2.19/56	3.12/79	1.19/30	2.312/59	1.81/46	1 5/8-12	1.252/32	1.750/44	0.469/12	3.00/76	2/51	1.188/30	222	7/16-14x2.75
P563132	LI-24-24SE-30	1.5"/38mm	2.56/65	3.69/94	1.41/36	2.750/70	2.00/51	1 7/8-12	1.502/38	2.115/54	0.531/13	3.33/85	2.12/54	1.312/33	225	1/2-13x3.00

Blanking Flanges

Description:

Code 61 and 62
O-Ring



Blanking Flanges, Code 61

Donaldson Part No.	LHA Part No.	Pad Size	A (in./mm)	B (in./mm)	C (in./mm)	D (in./mm)	E (in./mm)	F (in./mm)	G (in./mm)	Mounting O-Ring	Hardware SHCS
P563059	LIB-08-08-30	1/2"/13mm	1.813/46	2.125/54	0.688/17	1.500/38	0.75/19	1.000/25	0.344/9	210	5/16-18x1.50
P563060	LIB-12-12-30	3/4"/19mm	2.063/52	2.563/65	0.875/22	1.875/48	0.75/19	1.280/33	0.406/10	214	3/8-16x1.50
P563061	LIB-16-16-30	1"/25mm	2.313/59	2.750/70	1.031/26	2.063/52	0.88/22	1.560/40	0.406/10	219	3/8-16x1.75
P563063	LIB-20-20-30	1-1/4"/32mm	2.875/73	3.125/79	1.188/30	2.313/59	0.94/24	1.750/44	0.469/12	222	7/16-14x1.75
P563065	LIB-24-24-30	1-1/2"/38mm	3.250/83	3.688/94	1.406/36	2.750/70	1.19/30	2.115/54	0.531/13	225	1/2-13x2.25
P563067	LIB-32-32-30	2"/51mm	3.813/97	4.000/102	1.688/43	3.063/78	1.44/37	2.490/63	0.531/13	228	1/2-13x2.50
P563069	LIB-40-40-30	2-1/2"/64mm	4.281/109	4.500/114	2.000/51	3.500/89	1.82/46	2.995/76	0.531/13	232	1/2-13x2.75
P563071	LIB-48-48-30	3"/76mm	5.156/131	5.313/135	2.438/62	4.188/106	2.19/56	3.615/92	0.656/17	237	5/8-11x3.50

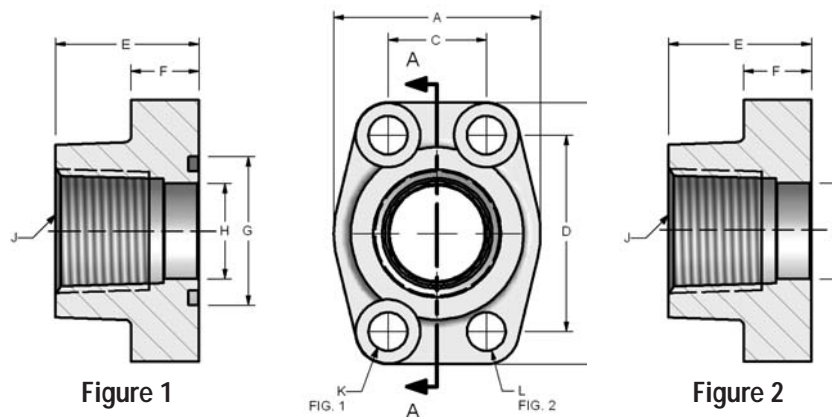
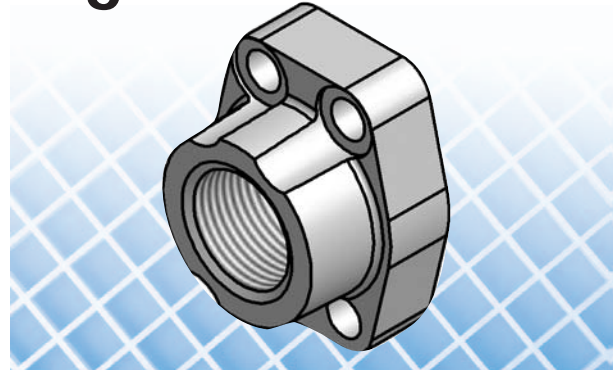
Blanking Flanges, Code 62

Donaldson Part No.	LHA Part No.	Pad Size	A (in./mm)	B (in./mm)	C (in./mm)	D (in./mm)	E (in./mm)	F (in./mm)	G (in./mm)	Mounting O-Ring	Hardware SHCS
P563062	LIB-16-16-60	1"/25mm	2.750/70	3.190/81	1.093/28	2.250/57	1.50/38	1.560/40	0.492/12	219	7/16-14x2.50
P563064	LIB-20-20-60	1-1/4"/32mm	3.060/78	3.750/95	1.250/32	2.625/67	1.43/36	1.750/44	0.531/13	222	1/2-13x2.50
P563066	LIB-24-24-60	1-1/2"/38mm	3.750/95	4.440/113	1.437/36	3.125/79	1.82/46	2.115/54	0.656/17	225	5/8-11x3.00
P563068	LIB-32-32-60	2"/51mm	4.500/114	5.250/133	1.750/44	3.812/97	1.82/46	2.490/63	0.781/20	228	3/4-10x3.00
P563070	LIB-40-40-60	2-1/2"/64mm	5.870/149	6.870/174	2.312/59	4.875/124	1.93/49	2.995/76	0.906/23	232	7/8-9x3.50

4-Bolt NPTF Threaded Flange

Description:

Code 61 and 62
 NPT Thread
 BunaN O-Ring
 Mounting hardware and O-Ring included
 on O-Ring models
 Maximum temperature with O-Ring
 250°F / 121°C



4 Bolt Threaded Flanges

Code 61 NPTF Thread, O-Ring (Figure 1)

Donaldson Part No.	LHA Part No.	Port Size	Pad Size	A (in./mm)	B (in./mm)	C (in./mm)	D (in./mm)	E (in./mm)	F (in./mm)	G (in./mm)	H (in./mm)	J NPTF	K (dia.) Drill	Mounting Hardware O-Ring	SHCS
P563084	LI-08-08P-30	0.50 13	0.50 13	1.81 46	2.13 54	0.688 17	1.500 38	1.42 36	0.63 16	1.000 25	0.502 13	1/2-14	0.344 9	210	5/16-18 x 1.25
P563088	LI-12-12P-30	0.75 19	0.75 19	1.97 50	2.56 65	0.875 22	1.875 48	1.42 36	0.71 18	1.250 32	0.752 19	3/4-14	0.406 10	214	3/8-16 x 1.25
P563093	LI-16-16P-30	1.00 25	1.00 25	2.17 55	2.75 70	1.031 26	2.062 52	1.50 38	0.71 18	1.560 40	1.002 25	1-11.5	0.406 10	219	3/8-16 x 1.50
P563100	LI-20-20P-30	1.25 32	1.25 32	2.68 68	3.12 79	1.188 30	2.312 59	1.61 41	0.83 21	1.750 44	1.252 32	1-1/4-11.5	0.469 12	222	7/16-14 x 1.50
P563107	LI-24-24P-30	1.50 38	1.50 38	3.07 78	3.66 93	1.406 36	2.750 70	1.77 45	0.98 25	2.115 54	1.502 38	1-1/2-11.5	0.531 13	225	1/2-13 x 1.75
P563113	LI-32-32P-30	2.00 51	2.00 51	3.54 90	4.00 102	1.688 43	3.062 78	1.77 45	0.98 25	2.490 63	2.002 51	2-11.5	0.531 13	228	1/2-13 x 1.75
P563117	LI-40-40P-30	2.50 64	2.50 64	4.09 104	4.49 114	2.000 51	3.500 89	1.97 50	0.98 25	2.995 76	2.502 64	2-1/2-8	0.531 13	232	1/2-13 x 2.25
P563118	LI-48-48P-30	3.00 76	3.00 76	4.88 124	5.28 134	2.438 62	4.188 106	1.97 50	1.06 27	3.615 92	3.002 76	3-8	0.656 17	237	5/8-11 x 2.50

Code 61 NPTF Thread, Flat Face (Figure 2)

Donaldson Part No.	LHA Part No.	Port Size	Pad Size	A (in./mm)	B (in./mm)	C (in./mm)	D (in./mm)	E (in./mm)	F (in./mm)	G (in./mm)	H (in./mm)	J NPTF	L Tap UNC-2B	Mounting Hardware O-Ring	SHCS
P563160	LIC-08-08P-30	0.50 13	0.50 13	1.81 46	2.13 54	0.688 17	1.500 38	1.42 36	0.63 16	1.000 25	0.502 13	1/2-14	5/16-18	210	5/16-18 x 1.25
P563161	LIC-12-12P-30	0.75 19	0.75 19	1.97 50	2.56 65	0.875 22	1.875 48	1.42 36	0.71 18	1.250 32	0.752 19	3/4-14	3/8-16	214	3/8-16 x 1.25
P563163	LIC-16-16P-30	1.00 25	1.00 25	2.17 55	2.75 70	1.031 26	2.062 52	1.50 38	0.71 18	1.560 40	1.002 25	1-11.5	3/8-16	219	3/8-16 x 1.50
P563166	LIC-20-20P-30	1.25 32	1.25 32	2.68 68	3.12 79	1.188 30	2.312 59	1.61 41	0.83 21	1.750 44	1.252 32	1-1/4-11.5	7/16-14	222	7/16-14 x 1.50
P563169	LIC-24-24P-30	1.50 38	1.50 38	3.07 78	3.66 93	1.406 36	2.750 70	1.77 45	0.98 25	2.115 54	1.502 38	1-1/2-11.5	1/2-13	225	1/2-13 x 1.75
P563171	LIC-32-32P-30	2.00 51	2.00 51	3.54 90	4.00 102	1.688 43	3.062 78	1.77 45	0.98 25	2.490 63	2.002 51	2-11.5	1/2-13	228	1/2-13 x 1.75
P563174	LIC-48-48P-30	3.00 76	3.00 76	4.88 124	5.28 134	2.438 62	4.188 106	1.97 50	1.06 27	3.615 92	3.002 76	3-8	5/8-11	237	5/8-11 x 2.50

4 Bolt Threaded Flanges
Code 62 NPTF Thread, O-Ring (Figure 1)

Donaldson Part No.	LHA Part No.	Port Size	Pad Size	A (in./mm)	B (in./mm)	C (in./mm)	D (in./mm)	E (in./mm)	F (in./mm)	G (in./mm)	H (in./mm)	J NPTF	K (Dia.) Drill	Mounting Hardware O-Ring	SHCS
P563085	LI-08-08P-60	0.50 13	0.50 13	1.81 46	2.21 56	0.718 18	1.594 40	1.42 36	0.63 16	1.000 25	0.502 13	1/2-14	0.344 9	210	5/16-18 x 1.25
P563089	LI-12-12P-60	0.75 19	0.75 19	2.17 55	2.80 71	0.937 24	2.000 51	1.38 35	0.83 21	1.250 32	0.752 19	3/4-14	0.406 10	214	3/8-16 x 1.25
P563094	LI-16-16P-60	1.00 25	1.00 25	2.56 65	3.19 81	1.093 28	2.250 57	1.65 42	0.98 25	1.560 40	1.002 25	1-11.5	0.492 12	219	7/16-14 x 1.50
P563101	LI-20-20P-60	1.25 32	1.25 32	3.07 78	3.75 95	1.250 32	2.625 67	1.77 45	1.06 27	1.750 44	1.252 32	1-1/4-11.5	0.531 13	222	1/2-13 x 1.50
P563108	LI-24-24P-60	1.50 38	1.50 38	3.70 94	4.41 112	1.437 36	3.125 79	1.97 50	1.18 30	2.115 54	1.502 38	1-1/2-11.5	0.656 17	225	5/8-11 x 1.75
P563114	LI-32-32P-60	2.00 51	2.00 51	4.50 114	5.28 134	1.750 44	3.812 97	2.56 65	1.46 37	2.490 63	2.002 51	2-11.5	0.781 20	228	3/4-10 x 1.75

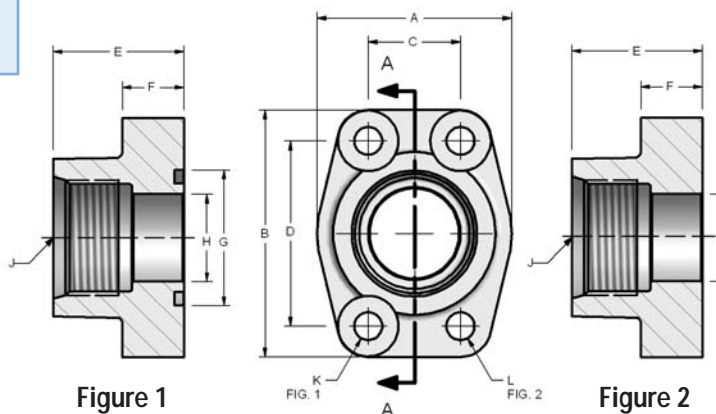
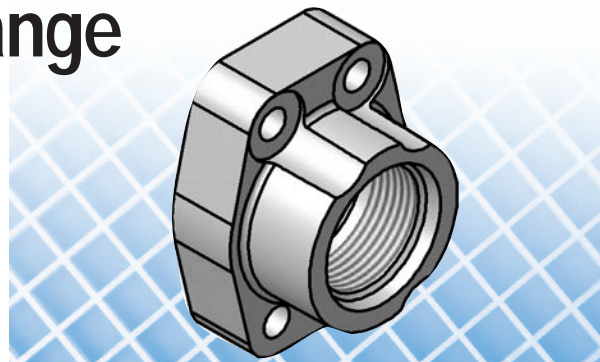
Code 62 NPTF Thread, Flat Face (Figure 2)

Donaldson Part No.	LHA Part No.	Port Size	Pad Size	A (in./mm)	B (in./mm)	C (in./mm)	D (in./mm)	E (in./mm)	F (in./mm)	G (in./mm)	H (in./mm)	J NPTF	L Tap UNC-2B	Mounting Hardware O-Ring	SHCS
P563164	LIC-16-16P-60	1.00 25	1.00 25	2.56 65	3.19 81	1.093 28	2.250 57	1.65 42	0.98 25	1.560 40	1.002 25	1-11.5	7/16-14	219	7/16-14 x 1.50
P563167	LIC-20-20P-60	1.25 32	1.25 32	3.07 78	3.75 95	1.250 32	2.625 67	1.77 45	1.06 27	1.750 44	1.252 32	1-1/4-11.5	1/2-13	222	1/2-13 x 1.50
P563172	LIC-32-32P-60	2.00 51	2.00 51	4.50 114	5.25 133	1.750 44	3.812 97	2.56 65	1.46 37	2.490 63	2.002 51	2-11.5	3/4-10	228	3/4-10 x 1.75

4-Bolt SAE Threaded Flange

Description:

Code 61 and 62
SAE Straight Thread
BunaN O-Ring
Mounting hardware and O-Ring included
on O-Ring models
Maximum temperature with O-Ring
250°F/ 21°C



4 Bolt Threaded Flanges

Code 61 Straight Thread, O-Ring (Figure 1)

Donaldson Part No.	LHA Part No.	Port Size	Pad Size	A (in./mm)	B (in./mm)	C (in./mm)	D (in./mm)	E (in./mm)	F (in./mm)	G (in./mm)	H (in./mm)	J (in./mm)	UN/UNF-2B	K (Dia.) Drill	Mounting Hardware O-Ring	SHCS
P563086	LI-08-08S-30	0.50/13	0.50/13	1.81/46	2.13/54	0.688/17	1.500/38	1.42/36	0.63/16	1.000/25	0.502/13	3/4-16	0.344/9	210	5/16-18 x 1.25	
P563090	LI-12-12S-30	0.75/19	0.75/19	1.97/50	2.56/65	0.875/22	1.875/48	1.42/36	0.71/18	1.250/32	0.752/19	1 1/16-12	0.406/10	214	3/8-16 x 1.25	
P563095	LI-16-16S-30	1.00/25	1.00/25	2.17/55	2.75/70	1.031/26	2.062/52	1.50/38	0.71/18	1.560/40	1.002/25	1 5/16-12	0.406/10	219	3/8-16 x 1.50	
P563102	LI-20-20S-30	1.25/32	1.25/32	2.68/68	3.12/79	1.188/30	2.312/59	1.61/41	0.83/21	1.750/44	1.252/32	1 5/8-12	0.469/12	222	7/16-14 x 1.50	
P563109	LI-24-24S-30	1.50/38	1.50/38	3.07/78	3.66/93	1.406/36	2.750/70	1.77/45	0.98/25	2.115/54	1.502/38	1 7/8-12	0.531/13	225	1/2-13 x 1.75	
P563115	LI-32-32S-30	2.00/51	2.00/51	3.54/90	4.00/102	1.688/43	3.062/78	1.77/45	0.98/25	2.490/63	2.002/51	2 1/2-12	0.531/13	228	1/2-13 x 1.75	

Code 61 Straight Thread, Flat Face (Figure 2)

Donaldson Part No.	LHA Part No.	Port Size	Pad Size	A (in./mm)	B (in./mm)	C (in./mm)	D (in./mm)	E (in./mm)	F (in./mm)	G (in./mm)	H (in./mm)	J (in./mm)	UN/UNF-2B	L Tap UNC-2B	Mounting Hardware O-Ring	SHCS
P563162	LIC-12-12S-30	0.75/19	0.75/19	1.97/50	2.56/65	0.875/22	1.875/48	1.42/36	0.71/18	1.250/32	0.752/19	1 1/16-12	3/8-16	214	3/8-16 x 1.25	
P563165	LIC-16-16S-30	1.00/25	1.00/25	2.17/55	2.75/70	1.031/26	2.062/52	1.50/38	0.71/18	1.560/40	1.002/25	1 5/16-12	3/8-16	219	3/8-16 x 1.50	
P563168	LIC-20-20S-30	1.25/32	1.25/32	2.68/68	3.12/79	1.188/30	2.312/59	1.61/41	0.83/21	1.750/44	1.252/32	1 5/8-12	7/16-14	222	7/16-14 x 1.50	
P563170	LIC-24-24S-30	1.50/38	1.50/38	3.07/78	3.66/93	1.406/36	2.750/70	1.77/45	0.98/25	2.115/54	1.502/38	1 7/8-12	1/2-13	225	1/2-13 x 1.75	
P563173	LIC-32-32S-30	2.00/51	2.00/51	3.54/90	4.00/102	1.688/43	3.062/78	1.77/45	0.98/25	2.490/63	2.002/51	2 1/2-12	1/2-13	228	1/2-13 x 1.75	

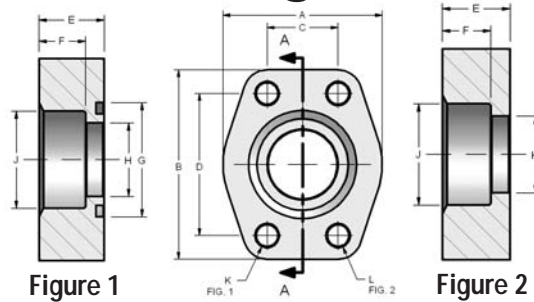
Code 62 Straight Thread, O-Ring (Figure 1)

Donaldson Part No.	LHA Part No.	Port Size	Pad Size	A (in./mm)	B (in./mm)	C (in./mm)	D (in./mm)	E (in./mm)	F (in./mm)	G (in./mm)	H (in./mm)	J (in./mm)	UN/UNF-2B	K (Dia.) Drill	Mounting Hardware O-Ring	SHCS
P563087	LI-08-08S-60	0.50/13	0.50/13	1.81/46	2.21/56	0.718/18	1.594/40	1.42/36	0.63/16	1.000/25	0.502/13	3/4-16	0.344/9	210	5/16-18 x 1.25	
P563091	LI-12-12S-60	0.75/19	0.75/19	2.17/55	2.80/71	0.937/24	2.000/51	1.38/35	0.83/21	1.250/32	0.752/19	1 1/16-12	0.406/10	214	3/8-16 x 1.25	
P563096	LI-16-16S-60	1.00/25	1.00/25	2.56/65	3.19/81	1.093/28	2.250/57	1.65/42	0.98/25	1.560/40	1.002/25	1 5/16-12	0.492/12	219	7/16-14 x 1.50	
P563103	LI-20-20S-60	1.25/32	1.25/32	3.07/78	3.75/95	1.250/32	2.625/67	1.77/45	1.06/27	1.750/44	1.252/32	1 5/8-12	0.531/13	222	1/2-13 x 1.75	
P563110	LI-24-24S-60	1.50/38	1.50/38	3.70/94	4.41/112	1.437/36	3.125/79	1.97/50	1.18/30	2.115/54	1.502/38	1 7/8-12	0.656/17	225	5/8-11 x 2.25	
P563116	LI-32-32S-60	2.00/51	2.00/51	4.50/114	5.28/134	1.750/44	3.812/97	2.56/65	1.46/37	2.490/63	2.002/51	2 1/2-12	0.781/20	228	3/4-10 x 2.75	

Flat Socket Weld Flange

Description:

Code 61 and 62


Code 61, O-Ring (Figure 1)

Donaldson Part No.	LHA Part No.	Pipe Size	Pad Size	A (in./mm)	B (in./mm)	C (in./mm)	D (in./mm)	E (in./mm)	F (in./mm)	G (in./mm)	H (in./mm)	J (in./mm)	K (in./mm)	Mounting Hardware O-Ring	SHCS
P563119	LI-08-08W-30	0.50/13	0.50/13	1.813/46	2.125/54	0.688/17	1.500/38	0.75/19	0.560/14	1.000/25	0.502/13	0.855/22	0.344/9	210	5/16-18x1.5
P563120	LI-12-12W-30	0.75/19	0.75/19	2.063/52	2.563/65	0.875/22	1.875/48	0.75/19	0.560/14	1.250/32	0.752/19	1.062/27	0.406/10	214	3/8-16x1.5
P563121	LI-16-16W-30	1.00/25	1.00/25	2.313/59	2.750/70	1.031/26	2.063/52	0.88/22	0.630/16	1.560/40	1.002/25	1.328/34	0.406/10	219	3/8-16x1.75
P563122	LI-20-20W-30	1.25/32	1.25/32	2.875/73	3.125/79	1.188/30	2.313/59	0.94/24	0.690/18	1.750/44	1.252/32	1.672/42	0.469/12	222	7/16-14x1.75
P563123	LI-24-24W-30	1.50/38	1.50/38	3.250/83	3.688/94	1.406/36	2.750/70	1.19/30	0.750/19	2.115/54	1.502/38	1.922/49	0.531/13	225	1/2-13x2.25
P563124	LI-32-32W-30	2.00/51	2.00/51	3.813/97	4.000/102	1.688/43	3.063/78	1.38/35	0.875/22	2.495/63	2.002/51	2.406/61	0.531/13	228	1/2-13x2.5
P563126	LI-40-40W-30	2.50/64	2.50/64	4.281/109	4.500/114	2.000/51	3.500/89	1.75/44	1.000/25	2.995/76	2.502/64	2.906/74	0.531/13	232	1/2-13x2.75
P563127	LI-48-48W-30	3.00/76	3.00/76	5.156/131	5.313/135	2.438/62	4.188/106	2.12/54	1.250/32	3.615/92	3.002/76	3.547/90	0.656/17	237	5/8-11x3.5
*P563077	WS-48-48-5	3.00/76	3.00/76	5.120/130	5.310/135	2.438/62	4.188/106	1.38/35	1.120/28	3.615/92	3.002/76	3.547/90	0.656/17	237	5/8-11x2.50
P563078	WS-56-56-5	3.50/89	3.50/89	5.500/140	6.000/152	2.750/70	4.750/121	1.44/37	1.190/30	4.095/104	3.502/89	4.047/103	0.656/17	241	5/8-11x2.75
P563079	WS-64-64-5	4.00/102	4.00/102	6.000/152	6.380/162	3.062/78	5.125/130	1.5/38	1.250/32	4.595/117	4.002/102	4.578/116	0.656/17	245	5/8-11x2.75

Note: *500 PSI max of P563077

Code 61, Flat Face (Figure 2)

Donaldson Part No.	LHA Part No.	Pipe Size	Pad Size	A (in./mm)	B (in./mm)	C (in./mm)	D (in./mm)	E (in./mm)	F (in./mm)	G (in./mm)	H (in./mm)	J (in./mm)	L UNC-2B	Mounting Hardware O-Ring	SHCS
P563175	LIC-08-08W-30	0.50/13	0.50/13	1.813/46	2.125/54	0.688/17	1.500/38	0.75/19	0.560/14	1.000/25	0.502/13	0.855/22	5/16-18	210	5/16-18x1.5
P563176	LIC-12-12W-30	0.75/19	0.75/19	2.063/52	2.563/65	0.875/22	1.875/48	0.75/19	0.560/14	1.250/32	0.752/19	1.062/27	3/8-16	214	3/8-16x1.5
P563177	LIC-16-16W-30	1.00/25	1.00/25	2.313/59	2.750/70	1.031/26	2.063/52	0.88/22	0.630/16	1.560/40	1.002/25	1.328/34	3/8-16	219	3/8-16x1.75
P563178	LIC-20-20W-30	1.25/32	1.25/32	2.875/73	3.125/79	1.188/30	2.313/59	0.94/24	0.690/18	1.750/44	1.252/32	1.672/42	7/16-14	222	7/16-14x1.75
P563179	LIC-24-24W-30	1.50/38	1.50/38	3.250/83	3.688/94	1.406/36	2.750/70	1.19/30	0.750/19	2.115/54	1.502/38	1.922/49	1/2-13	225	1/2-13x2.25
P563180	LIC-32-32W-30	2.00/51	2.00/51	3.813/97	4.000/102	1.688/43	3.063/78	1.38/35	0.875/22	2.490/63	2.002/51	2.406/61	1/2-13	228	1/2-13x2.5
P563181	LIC-40-40W-30	2.50/64	2.50/64	4.281/109	4.500/114	2.000/51	3.500/89	1.75/44	1.000/25	2.995/76	2.502/64	2.906/74	1/2-13	232	1/2-13x2.75
P563182	LIC-48-48W-30	3.00/76	3.00/76	5.156/131	5.313/135	2.438/62	4.188/106	2.12/54	1.250/32	3.615/92	3.002/76	3.547/90	5/8-11	237	5/8-11x3.5
*P563082	WSC-48-48-5	3.00/76	3.00/76	5.120/130	5.310/135	2.438/62	4.188/106	1.38/35	1.120/28	3.615/92	3.002/76	3.547/90	5/8-11	237	5/8-11x2.50
P563083	WSC-64-64-5	4.00/102	4.00/102	6.000/152	6.380/162	3.062/78	5.125/130	1.5/38	1.250/32	4.595/117	4.002/102	4.578/116	5/8-11	245	5/8-11x2.75

Note: *500 PSI max of P563082

Code 62, O-Ring (Figure 1)

Donaldson Part No.	LHA Part No.	Pipe Size	Pad Size	A (in./mm)	B (in./mm)	C (in./mm)	D (in./mm)	E (in./mm)	F (in./mm)	G (in./mm)	H (in./mm)	J (in./mm)	K (in./mm)	Mounting Hardware O-Ring	SHCS
P563073	WS-16-16-60	1.00/25	1.00/25	2.750/70	3.190/81	1.093/28	2.250/57	1.5/38	0.630/16	1.560/40	1.002/25	1.328/34	0.492/12	219	7/16-14x2.50
P563074	WS-20-20-60	1.25/32	1.25/32	3.060/78	3.750/95	1.250/32	2.625/67	1.5/38	0.690/18	1.750/44	1.252/32	1.672/42	0.531/13	222	1/2-13x2.50
P563075	WS-24-24-60	1.50/38	1.50/38	3.750/95	4.440/113	1.437/36	3.125/79	1.75/44	0.750/19	2.115/54	1.502/38	1.922/49	0.656/17	225	5/8-11x3.00
P563076	WS-32-32-60	2.00/51	2.00/51	4.500/114	5.250/133	1.750/44	3.812/97	1.75/44	0.875/22	2.490/63	2.002/51	2.406/61	0.781/20	228	3/4-10x3.00

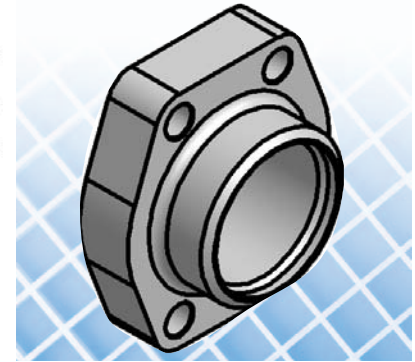
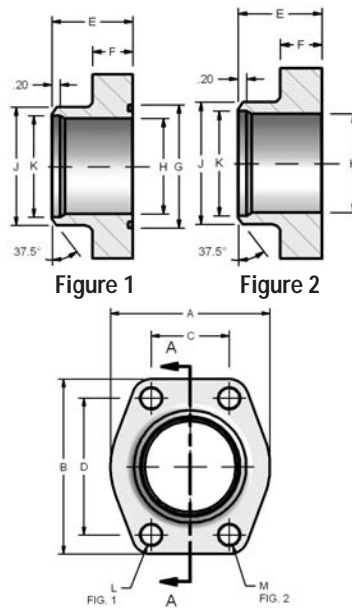
Code 62, Flat Face (Figure 2)

Donaldson Part No.	LHA Part No.	Pipe Size	Pad Size	A (in./mm)	B (in./mm)	C (in./mm)	D (in./mm)	E (in./mm)	F (in./mm)	G (in./mm)	H (in./mm)	J (in./mm)	L UNC-2B	Mounting Hardware O-Ring	SHCS
P563080	WSC-20-20-60	1.25/32	1.25/32	3.060/78	3.750/95	1.250/32	2.625/67	1.5/38	0.690/18	1.750/44	1.252/32	1.672/42	1/2-13	222	1/2-13x2.50
P563081	WSC-32-32-60	2.00/51	2.00/51	4.500/114	5.250/133	1.750/44	3.812/97	1.75/44	0.875/22	2.490/63	2.002/51	2.406/61	3/4-10	228	3/4-10x3.00

Butt Weld Flanges

Description:

Code 61
Schedule 40, 80 and 160 Pipe
BunaN O-Ring
Mounting hardware and
O-Ring included on
O-Ring models



Code 61-Schedule 40 Pipe, O-Ring (Figure 1)

Donaldson LHA Part No.	LHA Part No.	Port Size	Pad Size	A (in./mm)	B (in./mm)	C (in./mm)	D (in./mm)	E (in./mm)	F (in./mm)	G (in./mm)	H (in./mm)	J (in./mm)	K (in./mm)	L (in./mm)	M UNC-2B	Mounting Hardware O-Ring	SHCS
P563156	LI-48-48BW40-30	3.00/76	3.00/76	4.88/124	5.28/134	2.438/62	4.188/106	1.97/50	1.06/27	3.615/92	2.902/74	3.5/89	3.07/78	0.656/17	5/8-11	237	5/8-11x2.00

Code 61-Schedule 80 Pipe, O-Ring (Figure 1)

Donaldson LHA Part No.	LHA Part No.	Port Size	Pad Size	A (in./mm)	B (in./mm)	C (in./mm)	D (in./mm)	E (in./mm)	F (in./mm)	G (in./mm)	H (in./mm)	J (in./mm)	K (in./mm)	L (in./mm)	M UNC-2B	Mounting Hardware O-Ring	SHCS
P563136	LI-20-20BW80-30	1.25/32	1.25/32	2.68/68	3.12/79	1.188/30	2.312/59	1.61/41	0.83/21	1.750/44	1.280/33	1.660/42	Sched. 40 only	0.469/12	7/16-14	222	7/16-14x1.75
P563139	LI-24-24BW80-30	1.50/38	1.50/38	3.07/78	3.66/93	1.406/36	2.750/70	1.73/44	0.98/25	2.115/54	1.502/38	1.900/48		0.531/13	1/2-13	225	1/2-13x1.75
P563151	LI-32-32BW80-30	2.00/51	2.00/51	3.54/90	4.00/102	1.688/43	3.062/78	1.77/45	0.98/25	2.490/63	1.941/49	2.375/60		0.531/13	1/2-13	228	1/2-13x1.75
P563153	LI-40-40BW80-30	2.50/64	2.50/64	4.09/104	4.49/114	2.000/51	3.500/89	1.97/50	0.98/25	2.995/76	2.325/59	2.875/73		0.531/13	1/2-13	232	1/2-13x1.75
P563157	LI-48-48BW80-30	3.00/76	3.00/76	4.88/124	5.28/134	2.438/62	4.188/106	1.97/50	1.06/27	3.615/92	2.902/74	3.500/89		0.656/17	5/8-11	237	5/8-11x2.0

Code 61-Schedule 80 Pipe, Flat Face (Figure 2)

Donaldson LHA Part No.	LHA Part No.	Port Size	Pad Size	A (in./mm)	B (in./mm)	C (in./mm)	D (in./mm)	E (in./mm)	F (in./mm)	G (in./mm)	H (in./mm)	J (in./mm)	K (in./mm)	L (in./mm)	M UNC-2B	Mounting Hardware O-Ring	SHCS
P563183	LIC-16-16BW80-30	1.00/25	1.00/25	2.17/55	2.75/70	1.031/26	2.062/52	1.50/38	0.71/18	1.560/40	0.959/24	1.315/33	Sched. 40 only	0.406/10	3/8-16	219	3/8-16x1.50
P563184	LIC-24-24BW80-30	1.50/38	1.50/38	3.07/78	3.66/93	1.406/36	2.750/70	1.73/44	0.98/25	2.115/54	1.502/38	1.900/48		0.531/13	1/2-13	225	1/2-13x1.75
P563185	LIC-32-32BW80-30	2.00/51	2.00/51	3.54/90	4.00/102	1.688/43	3.062/78	1.77/45	0.98/25	2.490/63	1.941/49	2.375/60		0.531/13	1/2-13	228	1/2-13x1.75
P563187	LIC-48-48BW80-30	3.00/76	3.00/76	4.88/124	5.28/134	2.438/62	4.188/106	1.97/50	1.06/27	3.615/92	2.902/74	3.500/89		0.656/17	5/8-11	237	5/8-11x2.0

Code 61-Schedule 160 Pipe, O-Ring (Figure 1)

Donaldson LHA Part No.	LHA Part No.	Port Size	Pad Size	A (in./mm)	B (in./mm)	C (in./mm)	D (in./mm)	E (in./mm)	F (in./mm)	G (in./mm)	H (in./mm)	J (in./mm)	K (in./mm)	L (in./mm)	M UNC-2B	Mounting Hardware O-Ring	SHCS
P563135	LI-20-20BW160-30	1.25/32	1.25/32	2.68/68	3.12/79	1.188/30	2.312/59	1.61/41	0.83/21	1.750/44	1.162/30	1.660/42	Sched. 40 only	0.469/12	7/16-14	222	7/16-14x1.25
P563138	LI-24-24BW160-30	1.50/38	1.50/38	3.07/78	3.66/93	1.406/36	2.750/70	1.73/44	0.98/25	2.115/54	1.340/34	1.900/48		0.531/13	1/2-13	225	1/2-13x1.75
P563140	LI-32-32BW160-30	2.00/51	2.00/51	3.54/90	4.00/102	1.688/43	3.062/78	1.77/45	0.98/25	2.490/63	1.689/43	2.375/60		0.531/13	1/2-13	228	1/2-13x1.75
P563152	LI-40-40BW160-30	2.50/64	2.50/64	4.09/104	4.49/114	2.000/51	3.500/89	1.97/50	0.98/25	2.995/76	2.127/54	2.875/73		0.531/13	1/2-13	232	1/2-13x1.75
P563154	LI-48-48BW160-30	3.00/76	3.00/76	4.88/124	5.28/134	2.438/62	4.188/106	1.97/50	1.06/27	3.615/92	2.626/67	3.500/89		0.656/17	5/8-11	237	5/8-11x2.00

Code 61-Schedule 160 Pipe, Flat Face (Figure 2)

Donaldson LHA Part No.	LHA Part No.	Port Size	Pad Size	A (in./mm)	B (in./mm)	C (in./mm)	D (in./mm)	E (in./mm)	F (in./mm)	G (in./mm)	H (in./mm)	J (in./mm)	K (in./mm)	L (in./mm)	M UNC-2B	Mounting Hardware O-Ring	SHCS
P563186	LIC-48-48BW160-30	3.00/76	3.00/76	4.88/124	5.28/134	2.438/62	4.188/106	1.97/50	1.06/27	3.615/92	2.626/67	3.500/89	Sched. 40 only	0.656/17	5/8-11	237	5/8-11x2.00