

TI08/12/16 Tank Immersed Filters

Working Pressures to:	TI08	TI12/16
	50 <i>psi</i>	100 <i>psi</i>
	345 kPa	690 kPa
	3.4 bar	6.9 bar

Flow Range to:	25 <i>gpm</i> 95 <i>l/min</i>
----------------	----------------------------------



Features

These space saving filters mount to tanks. The head and inlet sit above the tank, with the housing inside the tank. Elements are conveniently replaceable through the filter cover. Aluminum casting and Buna-N seals are standard. For use with petroleum and water-based fluids.

Different bowl lengths, electrical and visual service indicators and a variety of replacement filter media options are available.

Beta Rating

- Performance to $\beta_{10(c)}=1000$

Porting Sizes

- ½", ¾", 1" NPT, 1 1/16-12 SAE

Replacement Filter Lengths

- 2.63" / 67mm TI08
- 3.23" / 82mm TI12/16 - 1
- 5.04" / 128mm TI12/16 - 2

Standard Bypass Ratings

- 25 *psi* / 172.5 kPa / 1.7 bar

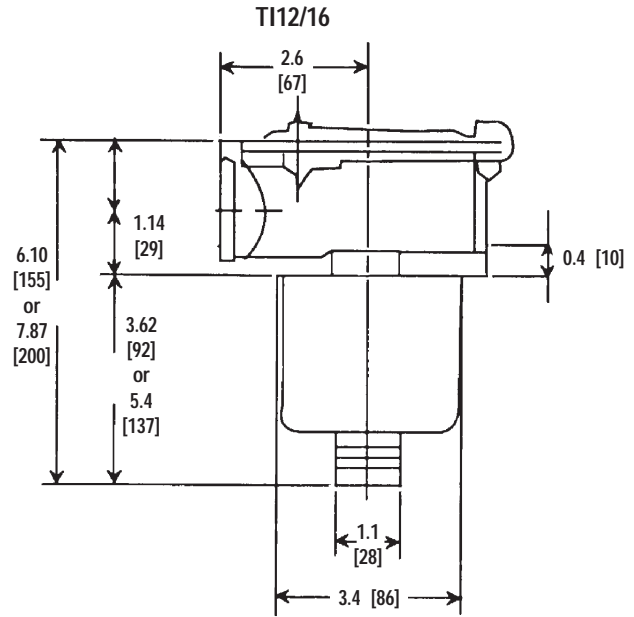
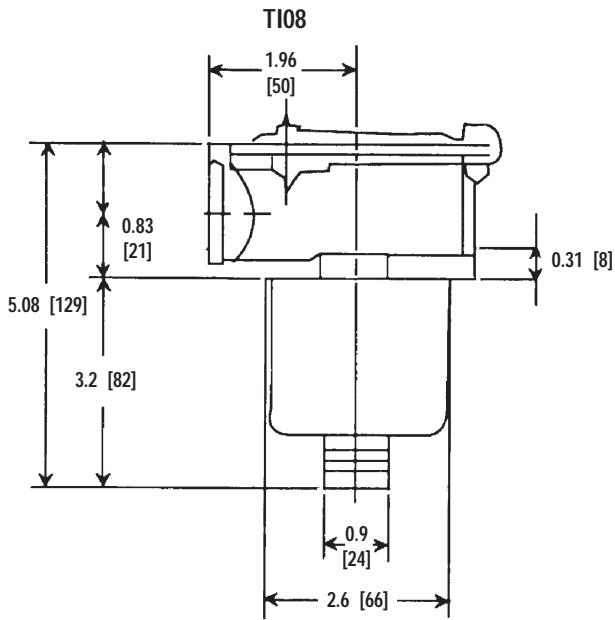
Operating Temperatures

- -22°F to 250°F / -30°C to 121°C

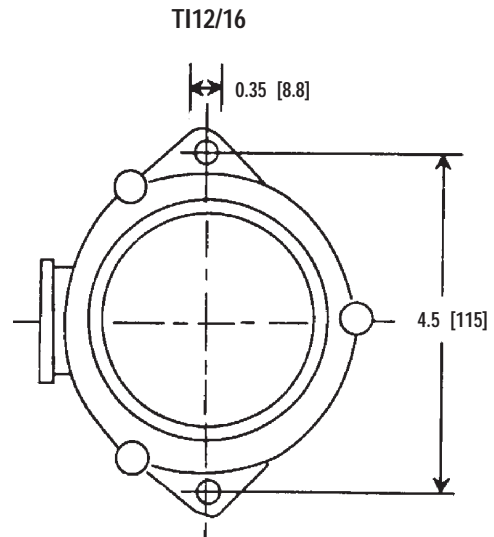
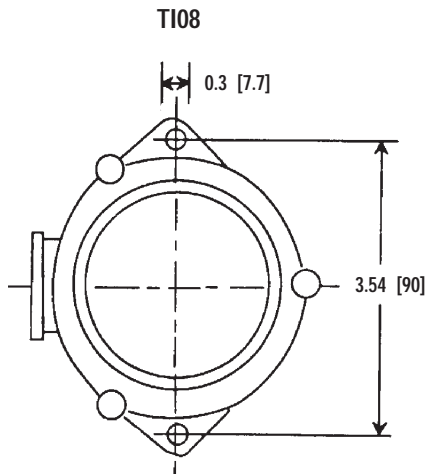
Assembly Weight

- 1.0 lbs TI08
- 1.7 lbs TI12/16 - 1
- 2.0 lbs TI12/16 - 2

Assembly - Side View



Heads - Top Views



All dimensions above are shown in inches [millimeters]

TI08/12/16 Assemblies & Service Parts

TI08/12/16 Filter Assemblies

Port Size	Bypass Rating	Service Indicator	Bowl Length	TI Assembly Model	Donaldson Part No.	Element	Comment
1/2" NPT	25 psi / 172.5 kPa / 1.7 bar	Port Available	3.2" / 82 mm	TI08N1AHN	K031004	Cellulose Media # 10	
3/4" NPT	25 psi / 172.5 kPa / 1.7 bar	Port Available	7.87" / 200 mm	TI12N4AHN	K041742	Cellulose Media # 10	plastic bowl
3/4" NPT	25 psi / 172.5 kPa / 1.7 bar	Port Available	7.87" / 200 mm	TI12N4AHN	K041743	Cellulose Media # 10	plastic bowl
1 1/16-12 SAE	25 psi / 172.5 kPa / 1.7 bar	Port Available	6.1" / 155 mm	TI12S1BHN	K041744	Cellulose Media # 25	
1 1/16-12 SAE	25 psi / 172.5 kPa / 1.7 bar	Port Available	6.1" / 155 mm	TI12S1RHN	K041741	Synteq Media # 2-1/2	
1 1/16-12 SAE	25 psi / 172.5 kPa / 1.7 bar	Port Available	7.87" / 200 mm	TI12S4AHN	K041746	Cellulose Media # 10	plastic bowl
1" NPT	25 psi / 172.5 kPa / 1.7 bar	Port Available	6.1" / 155 mm	TI16N1AHN	K041747	Cellulose Media # 10	
1" NPT	25 psi / 172.5 kPa / 1.7 bar	Port Available	6.1" / 155 mm	TI16N1RHN	K041748	Synteq Media # 2-1/2	
1" NPT	25 psi / 172.5 kPa / 1.7 bar	Port Available	7.87" / 200 mm	TI16N2AHN	K041749	Cellulose Media # 10	
1" NPT	25 psi / 172.5 kPa / 1.7 bar	Visual indicator	7.87" / 200 mm	TI16N2AHV	K041750	Cellulose Media # 10	

Note

* Bypass valve is integral part of replacement filter

Element Choices

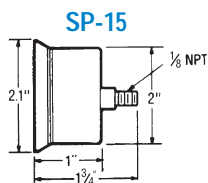
Media Type	Beta _{w(c)} =200 Rating	Beta _{w(c)} =1000 Rating	Length (in./mm)	Donaldson Part No.	LHA Part No.	Comments	Brand
Cellulose Media # 10		23	2.63/67	P171503	TIE-08-10		Donaldson
Cellulose Media # 25	32		2.63/67	P171504	TIE-08-20		Donaldson
Synteq Media # 2-1/2		10	2.63/67	P171501	TIE-08-BTA-10	Synthetic Media	Donaldson
Cellulose Media # 10		23	3.23/82	P171527	TIE-16-10-1		Donaldson
Cellulose Media # 25	32		3.23/82	P171528	TIE-16-25-1		Donaldson
Synteq Media # 2-1/2		10	3.23/82	P171525	TIE-16-BTA-10-1	Synthetic Media	Donaldson
Synteq Media # 9		23	3.23/82	P171526	TIE-16-BTA-25-1	Synthetic Media	Donaldson
Cellulose Media # 10		23	5.04/128	P171533	TIE-16-10-2		Donaldson
Cellulose Media # 25	32		5.04/128	P171534	TIE-16-25-2		Donaldson
Synteq Media # 2-1/2		10	5.04/128	P171531	TIE-16-BTA-10-2	Synthetic Media	Donaldson
Synteq Media # 9		23	5.04/128	P171532	TIE-16-BTA-25-2	Synthetic Media	Donaldson

Optional Filter Service Indicators

Donaldson Part No.	LHA Part No.	Pressure Range	Use With Bypass Valve Rating	Type	Brand
P563978	EL-P-1	5 to 35 psi field adj.*	15 psi / 103.4 kPa / 1.34 bar or 25 psi / 172.5 kPa / 1.72 bar or No Bypass	Return indicator, electrical	LHA
P563297	SP-15P-1	0 to 100 psi	15 psi / 103.4 kPa / 1.34 bar Bypass	Return indicator, color coded	LHA
P563298	SP-15P-2	0 to 100 psi	25 psi / 172.5 kPa / 1.72 bar or No Bypass	Return indicator, color-coded	LHA

Notes

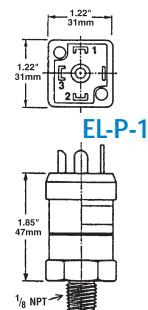
* NOT PRESET: Setting adjustable for desired application



EL-P Instructions

1. Remove DIN adaptor
2. Remove small brass screw
3. Using 1/8" allen wrench adjust clockwise to increase set point/counter-clockwise to decrease set point
4. NO / NC

- #1 Common;
#2 Normally Closed;
#3 Normally Open



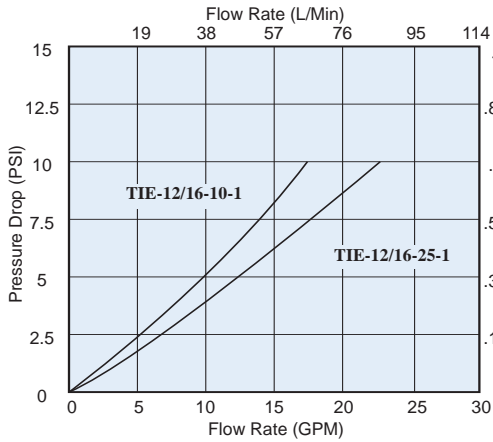
Adjustment screw located in center of elec. prongs



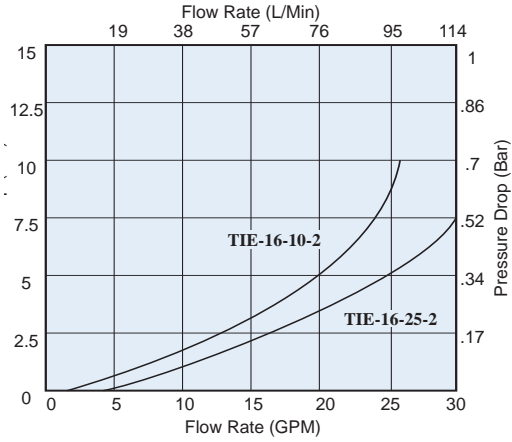
Performance Data

For a full explanation of how our performance curves were derived, see page 160.

TI12/TI16 Short Element



TI12/TI16 Long Element



TI08

