

TI25 Tank Immersed Filters

Working Pressures to: 100 *psi*
690 kPa
6.9 bar

Flow Ranges to: 60 *gpm*
227 *l/min*



Features

TI25 tank immersed filter mounts to tank, with the head and inlet above the tank and the housing inside the tank. Elements replaceable through the filter cover. Features aluminum casting, Buna-N seals and steel bowls. For use with petroleum and water-based fluids.

Electrical and visual service indicators and a variety of replacement filter media options are available.

Beta Rating

- Performance to $\beta_{10}=75$

Porting Sizes

- 1¼" NPT

Replacement Filter Length

- 9" / 229mm

Standard Bypass Ratings

- 25 *psi* / 150 kPa / 1.5 bar

Operating Temperatures

- -22°F to 250°F / -30°C to 121°C

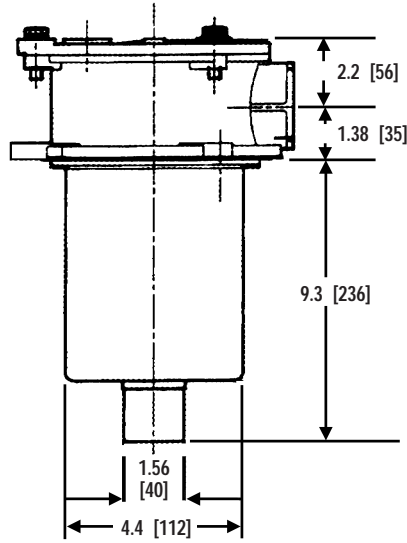
Assembly Weight

- 5.5 lbs

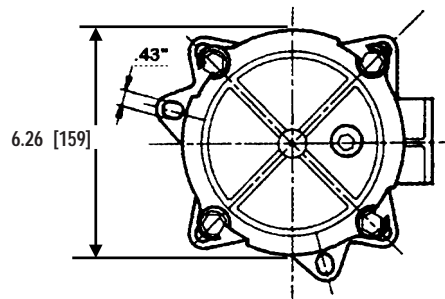
Element Collapse Pressure

- 150 *psid* / 1035 kPa / 10.3 bar

Assembly - Side View



Head - Top View



Mounting bolt circle: 6.25" [159 mm]
 Tank cut-out: 5.00" [127 mm]
 Mounting bolt holes: 5/16" [7.9 mm]

● All dimensions above are shown in inches [millimeters]

TI25 Assemblies & Service Parts

TI25 Filter Assemblies

| Port Size | Bypass Rating | Service Indicator | Bowl Length | TI Assembly Model | Donaldson Part No. | Element |
|-----------|------------------------------|-------------------|---------------|-------------------|--------------------|----------------------|
| 1¼" NPT | 25 psi / 172.5 kPa / 1.7 bar | Port Available | 9.3" / 236 mm | TI25N1AHN | K052051 | Cellulose Media # 10 |
| 1¼" NPT | 25 psi / 172.5 kPa / 1.7 bar | Visual | 9.3" / 236 mm | TI25N1AHV | K052046 | Cellulose Media # 10 |
| 1¼" NPT | 25 psi / 172.5 kPa / 1.7 bar | Visual | 9.3" / 236 mm | TI25N1RHV | K052047 | Synteq Media # 2-1/2 |

Element Choices

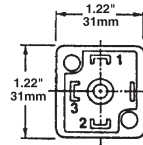
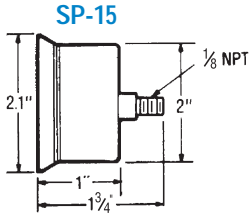
| Media Type | Beta _{w(c)} =200 Rating | Beta _{w(c)} =1000 Rating | Length (in./mm) | Donaldson Part No. | LHA Part No. | Comments | Brand |
|----------------------|----------------------------------|-----------------------------------|-----------------|--------------------|--------------|------------------------------|-----------|
| Cellulose Media # 3 | | 24 | 9.02/229 | P167514 | | | Donaldson |
| Cellulose Media # 10 | | 23 | 9.02/229 | P167410 | | | Donaldson |
| Cellulose Media # 10 | | 23 | 9.02/229 | | TIE-25-10 | | LHA |
| Cellulose Media # 25 | 32 | | 9.02/229 | P167425 | | | Donaldson |
| Synteq Media # 1 | | 6 | 9.02/229 | P169341 | | Synthetic Media | Donaldson |
| Synteq Media # 1 | | 6 | 9.02/229 | P174622 | | Synthetic Media, Viton seals | Donaldson |
| Synteq Media # 2 | | 9 | 9.02/229 | P169344 | | Synthetic Media | Donaldson |
| Synteq Media # 2 | | 9 | 9.02/229 | P174623 | | Synthetic Media, Viton seals | Donaldson |
| Synteq Media # 2-1/2 | | 10 | 9.02/229 | P163903 | | Synthetic Media | Donaldson |
| Synteq Media # 4 | | 20 | 9.02/229 | P174624 | | Synthetic Media, Viton seals | Donaldson |
| Synteq Media # 9 | | 23 | 9.02/229 | P163910 | | Synthetic Media | Donaldson |
| Wiremesh Media # 74 | 75 | | 9.02/229 | P173781 | | Wire Mesh | Donaldson |
| Wiremesh Media # 149 | 150 | | 9.02/229 | P173780 | | Wire Mesh | Donaldson |

Optional Filter Service Indicators

| Donaldson Part No. | LHA Part No. | Pressure Range | Use With Bypass Valve Rating | Type | Brand |
|--------------------|--------------|-------------------------|---|-------------------------------|-------|
| P563978 | EL-P-1 | 5 to 35 psi field adj.* | 15 psi / 103.4 kPa / 1.34 bar or 25 psi / 172.5 kPa / 1.72 bar or No Bypass | Return indicator, electrical | LHA |
| P563297 | SP-15P-1 | 0 to 100 psi | 15 psi / 103.4 kPa / 1.34 bar Bypass | Return indicator, color coded | LHA |
| P563298 | SP-15P-2 | 0 to 100 psi | 25 psi / 172.5 kPa / 1.72 bar or No Bypass | Return indicator, color-coded | LHA |

Notes

* NOT PRESET: Setting adjustable for desired application

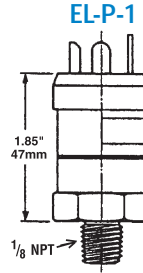


- #1 Common;
- #2 Normally Closed;
- #3 Normally Open



EL-P Instructions

1. Remove DIN adaptor
2. Remove small brass screw
3. Using 1/8" allen wrench adjust clockwise to increase set point/counter-clockwise to decrease set point
4. NO / NC



Adjustment screw located in center of elec. prongs

Performance Data

For a full explanation of how our performance curves were derived, see page 160.

TI25 Elements

