

HFK08 In-Line/Tank Mount Filter

Working Pressures to: 350 *psi*
2413 kPa
24.1 bar

Rated Static Burst to: 500 *psi*
3448 kPa
34.5 bar

Flow Ranges to:

Return-line < 300 *gpm*
1136 *l/min*

Suction < 100 *gpm*
378 *l/min*



Features

HFK08 is available in two styles: In-Line and In-Tank. Both styles feature a cast aluminum head and steel body for maximum strength and durability. Its single, center retention bolt simplifies servicing. Flow is from inside to outside the filter cartridge.



Our HFK08-0087 in-line model, seen at left, comes with a smaller SAE 20 inlet/outlet port and 50*gpm* flow capacity—one good choice for kidney loop filtration applications. Dedicated off-line circuits or kidney loops are very effective in ensuring thorough fluid conditioning.

Three in-stock HFK08 models offer our proprietary Synteq® synthetic media designed especially for liquid filtration. A wider range of filter media is available to purchase separately, as are fluoroelastomer seals. A visual service indicator is built into the HFK08 head; for electrical indicator options, see the service parts list.

Beta Rating

- Performance to $\beta_{<3(c)}=1000$

Porting Size

- 3" NPT or SAE-20 O-Ring

Assembly Weight

- 34 lbs / 15.4 kg

Replacement Filter Length

- 18" / 457mm

Standard Bypass Ratings

- 25 *psi* / 172.5 kPa / 1.7 bar

Operating Temperatures

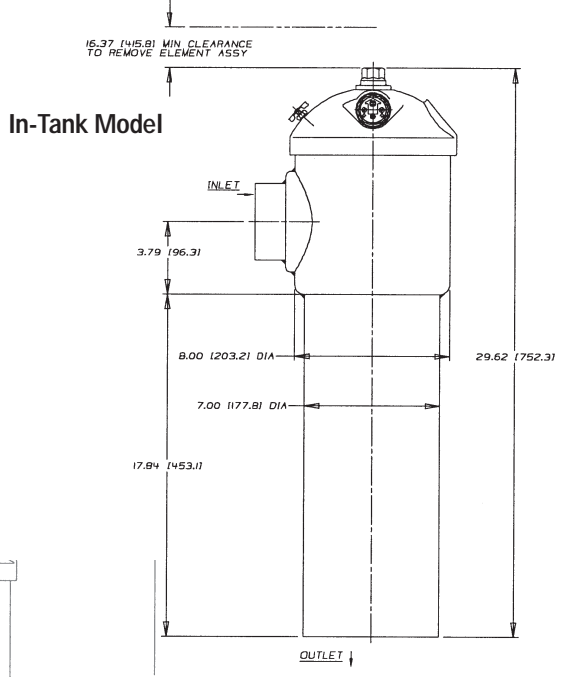
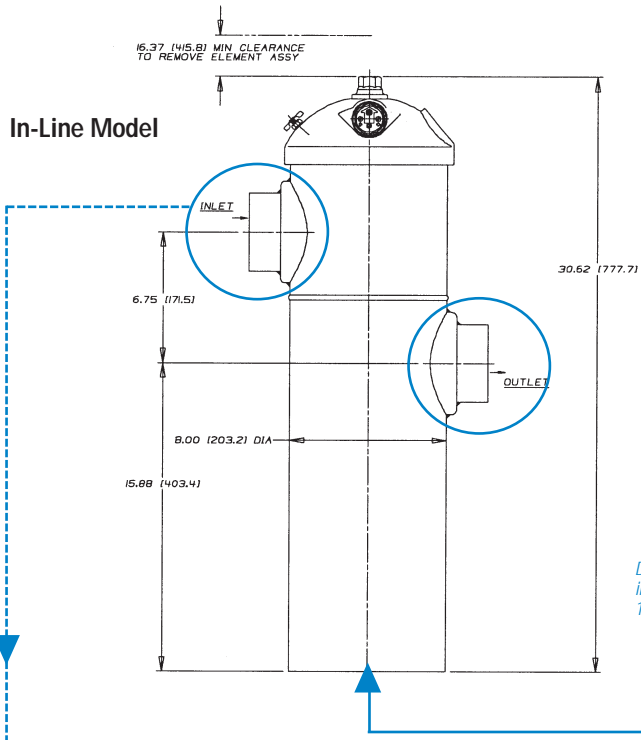
- Synthetic media -20°F to 250°F
-29°C to 121°C

Element Burst Ratings

- 75 *psi* / 517 kPa / 5.2 bar (synthetic)
- 100 *psi* / 689 kPa / 6.9 bar (wiremesh)

Assembly - Side View

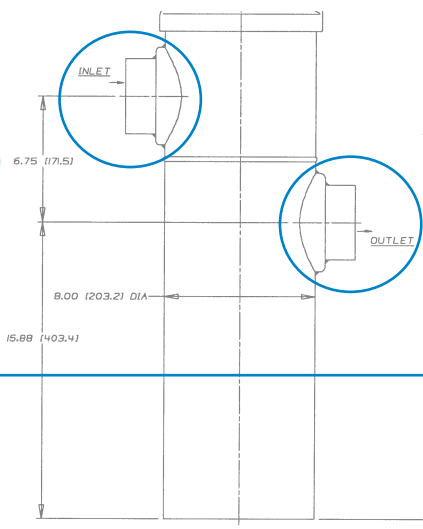
for: Return Lines
Lube Oil Systems
Kidney Loop Systems
Fluid Conditioning
Suction Lines



Drain Plug in bottom: 1/2" NPT

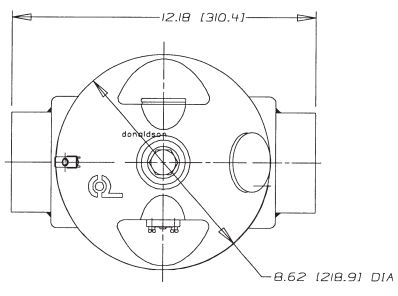
HFK08-0087 In-Line Model

Smaller port size (SAE-20) works well for Kidney Loop filtration.

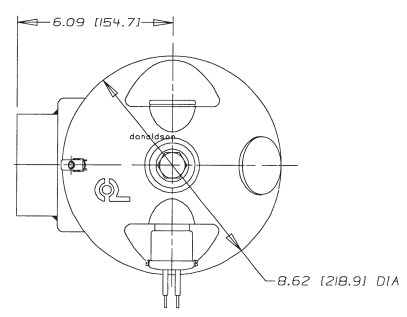


Head - Top View

Head with Optional DC Electrical Indicator



Head with Optional AC Electrical Indicator



All dimensions above are shown in inches [millimeters]

HFK08 Components

In-Stock HFK08 Assemblies

Port Size	Bypass Rating	Indicator Style & Location	Assembly Part No.	Media	Length (in./mm)	Filter Part No.
3" NPT	25 psi / 172.5 kPa	Visual, Left side Visual, Right side	K080051, In-Tank	No. 9	18"/457mm	P164703
			K080033, In-Line	No. 9	18"/457mm	P164703
			K080085, In-Line	No. 6	18"/457mm	P164407 all seals are Viton
SAE-20	25 psi / 172.5 kPa	Visual, Right side	K080087, In-Line	No. ½	18"/457mm	P164405

Assembly Notes

¹ Donaldson uses the inlet port as the reference point. "Left side," for instance, means that the indicator mounts on the side of the filter head that is on your left when you face the inlet port.

² AC or DC electrical indicators available for purchase; see details in Service Parts list.

Replacement Filter Choices

Media Number	Media Technology	B _{x(c)} = 1000 Rating	Part No.
No. ½	Synteq®	<3µm	P164405
No. 2	Synteq®	9µm	P166462
No. 2½	Synteq®	10µm	P176222
No. 4	Synteq®	20µm	P164701
No. 6	Synteq®	13µm	P164407 w/Viton seal
No. 9	Synteq®	23µm	P164703
Media Number	Media Technology	Part No.	
No. 44	Wiremesh	45µm nominal	P173573
No. 149	Wiremesh	150µm nominal	P163945

Filter Notes

- HFK08 replacement filters have seals made of **BunaN**, except as noted above, which is a material appropriate for most applications involving petroleum oil. Filters with seals made of **Viton**® (a fluor elastomer) are required when using diester, phosphate ester fluids, water glycol, water/oil emulsions, and HWCF (high water content fluids) over 150°F. (Viton® is a registered trademark of DuPont Chemical Corp.)
- Synteq® filter media is compatible with petroleum based fluids, most phosphate esters, water oil emulsions, & HWCF (high water content fluids).



The K080087 model has features that are perfect for kidney loop filtration:

- SAE-20 port size
- 50gpm flow capacity (enables constant face velocity and prevents sloughing)
- High-efficiency Synteq media



HFK08 replacement filters are available with synthetic or wire mesh media.

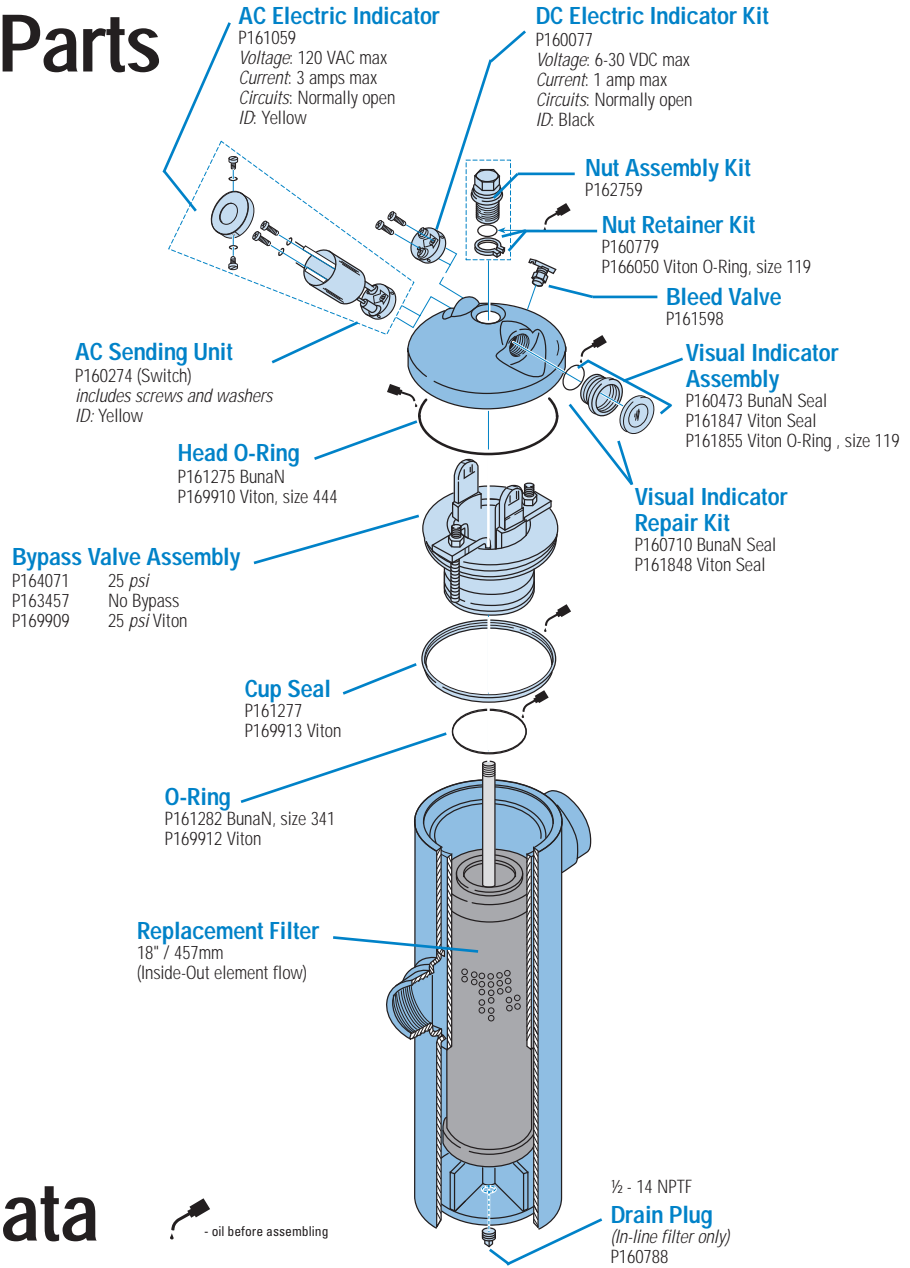


Learn more about Donaldson-developed Synteq® synthetic filter media on page 8.

HFK08 Service Parts

Not all service parts are in-stock.
Call for availability.

See page 160 for information on how to read the visual service indicator.



Performance Data

For a full explanation of how our performance curves were derived, see page 160.

