

# HFK08-0087 Kidney Loop Filter



*The K080087 model has features that are perfect for kidney loop filtration:*

- SAE-20 port size
- 50gpm flow capacity (enables constant face velocity and prevents sloughing)
- High-efficiency Synteq media



## Kidney Loop Dedicated Off-Line Circuit For Fluid Conditioning

One very effective way of ensuring thorough fluid conditioning is with a dedicated off-line circuit, or kidney loop, as demonstrated below.

Widely used in industrial applications, this system uses a separate circulation pump that runs continuously, circulating and conditioning the fluid. Multiple stages and types of filters can be included in the circuit, as well as heat exchangers and in-line immersion heaters.

We've designed the HFK08-0087 in-line model with features that make it perfect for kidney looping - SAE 20 ports, 50gpm flow capacity, a built-in visual service indicator and Synteq® synthetic media.

## Working Pressures to:

- 350 psi / 2413 kPa / 24.1 bar

## Flow Ranges (Return Line) to:

- 50 gpm / 190 l/min

## Beta Rating

- Performance to  $\beta_{<3(c)}=1000$

## Porting Size

- SAE-20 O-Ring

## Assembly Weight

- 34 lbs / 15.4 kg

## Replacement Filter Length

- 18" / 457mm

## Standard Bypass Ratings

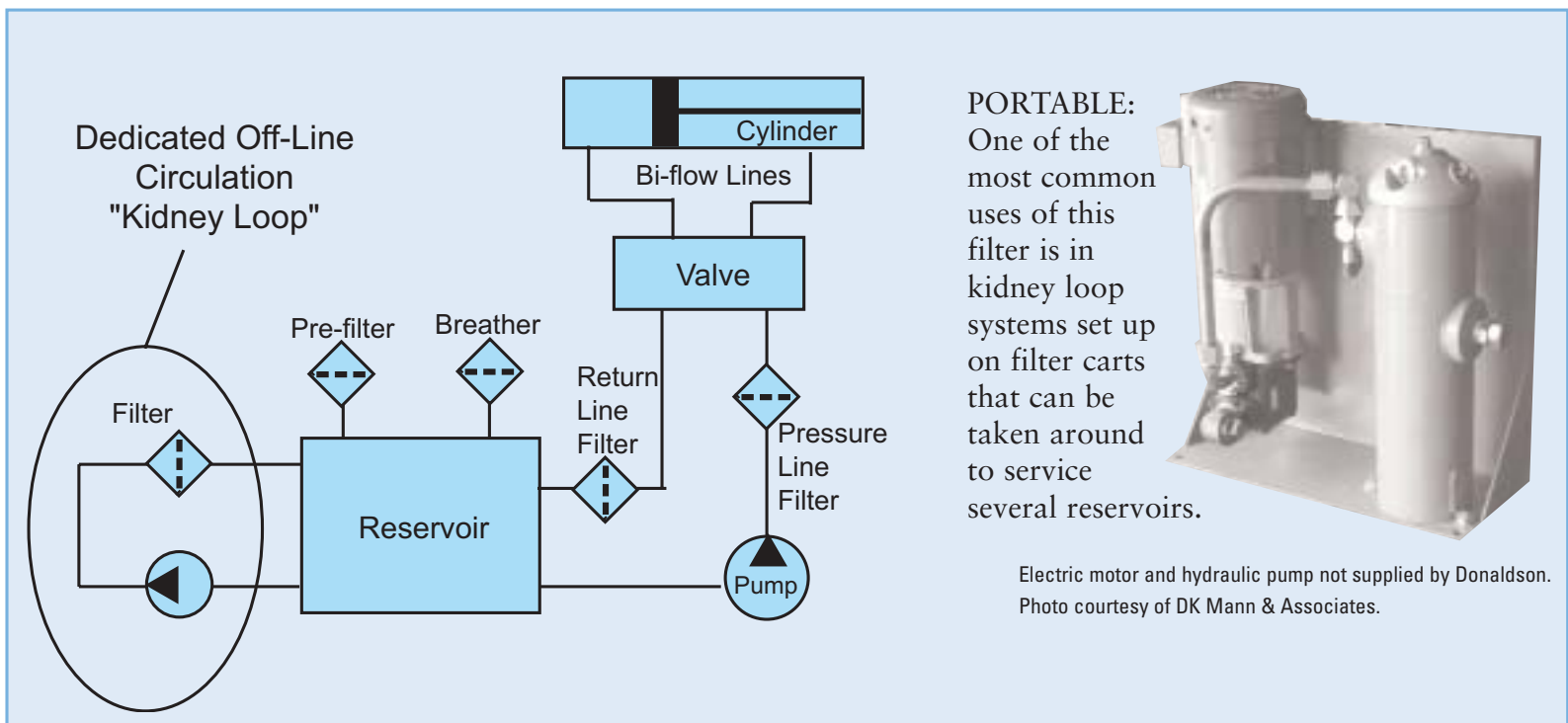
- 25 psi / 172.5 kPa / 1.7 bar

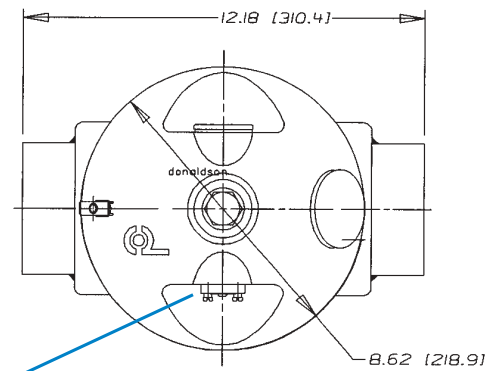
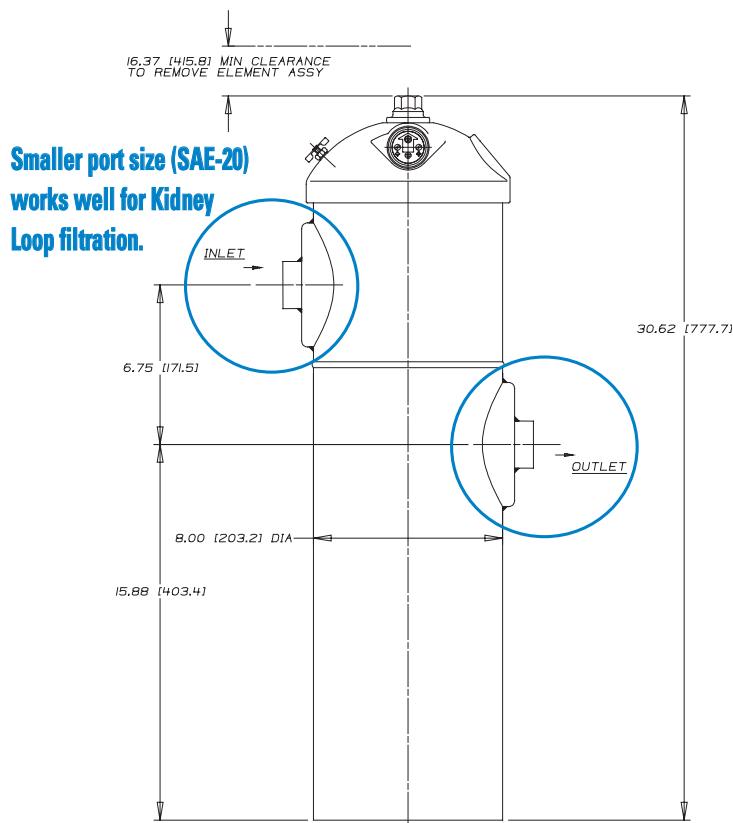
## Operating Temperatures

- -20°F to 250°F
- -29°C to 121°C (synthetic media)

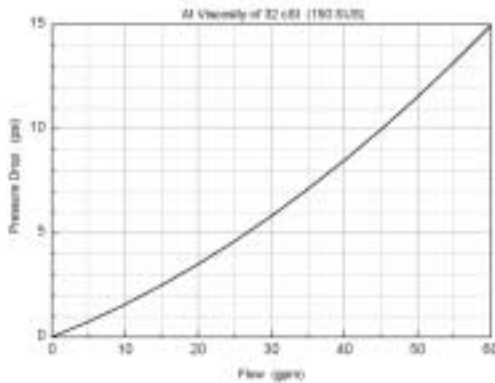
## Element Burst Ratings

- 75 psi / 517 kPa / 5.2 bar (synthetic)



**Assembly - Side View**

**Head - Top View**

*Dimensions in inches [millimeters]*

**Performance Data**
**HFK08-0087 Assembly**

**Replacement Filter Choices**

| Media Number | Media Technology | B <sub>(10)</sub> = 1000 Rating | Part No.             |
|--------------|------------------|---------------------------------|----------------------|
| No. 1/2      | Synteq®          | <3µm                            | P164405              |
| No. 2        | Synteq®          | 9µm                             | P166462              |
| No. 2½       | Synteq®          | 10µm                            | P176222              |
| No. 4        | Synteq®          | 20µm                            | P164701              |
| No. 6        | Synteq®          | 13µm                            | P164407 w/Viton seal |
| No. 9        | Synteq®          | 23µm                            | P164703              |