

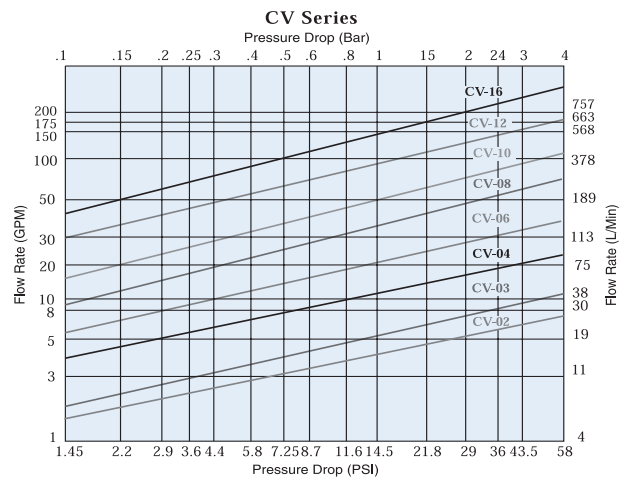
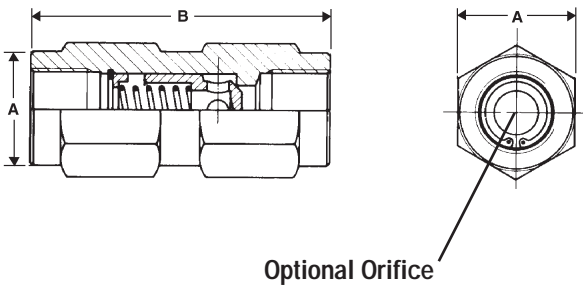
In-Line Check Valves

Working Pressures to:	4350 <i>psi</i>
Flow Ranges to:	200 <i>gpm</i>



Features

Steel constructed check valves are compatible with all non-corrosive liquids. Valves contain no elastimeric seals. Restricted orifice (.062) option available on some models.



The above charts are based on Hydraulic Oil 100 SUS, S.G. = 0.86

Sizes

- 1/4", 3/8", 1/2", 3/4", 1", 1 1/4", 1 1/2" and 2" NPT
- #4, #6, #8, #12, #16, #20, #24 and #32 SAE

Opening Pressure (Cracking)

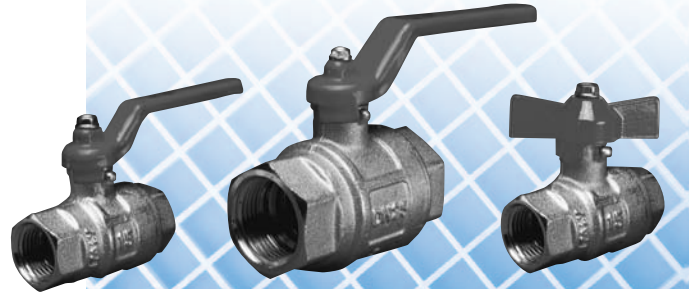
- 5 *psi* or 65 *psi*

Donaldson Part No.	LHA Part No.	Max Working Pressure (PSI)	Max. Rated Flow (gpm)	Opening Pressure (PSI)	Port	A (in./mm)	B (in./mm)
P562297	CV-02P-5	4350	6	5	1/4" NPT	0.75/19	2.36/60
P562298	CV-02P-65	4350	6	65	1/4" NPT	0.75/19	2.36/60
P562299	CV-02S-5	4350	6	5	#4 SAE	0.75/19	2.36/60
P562300	CV-02S-65	4350	6	65	#4 SAE	0.75/19	2.36/60
P562301	CV-03P-5	4350	10	5	3/8" NPT	0.95/24	2.75/70
P562302	CV-03P-65	4350	10	65	3/8" NPT	0.95/24	2.75/70
P562303	CV-03S-5	4350	10	5	#6 SAE	0.95/24	2.75/70
P562304	CV-03S-65	4350	10	65	#6 SAE	0.95/24	2.75/70
P562305	CV-04P-5	4350	16	5	1/2" NPT	1.18/30	3.03/77
P562306	CV-04P-65	4350	16	65	1/2" NPT	1.18/30	3.03/77
P562307	CV-04S-5	4350	16	5	#8 SAE	1.18/30	3.03/77
P562308	CV-04S-65	4350	16	65	#8 SAE	1.18/30	3.03/77
P562309	CV-06P-5	4350	25	5	3/4" NPT	1.42/36	3.54/90
P562310	CV-06-P-5-.062-ORF	4350	25	5	3/4" NPT	1.42/36	3.54/90
P562311	CV-06P-65	4350	25	65	3/4" NPT	1.42/36	3.54/90
P562312	CV-06S-5	4350	25	5	#12 SAE	1.42/36	3.54/90
P562313	CV-06S-65	4350	25	65	#12 SAE	1.42/36	3.54/90
P562314	CV-08P-5	4350	45	5	1" NPT	1.77/45	4.17/106
P562316	CV-08P-65	4350	45	65	1" NPT	1.77/45	4.17/106
P562317	CV-08S-5	4350	45	5	#16 SAE	1.77/45	4.17/106
P562318	CV-08-S-5-.062-ORF	4350	45	5	#16 SAE	1.77/45	4.17/106
P563307	CV-08S-65	4350	45	65	#16 SAE	1.77/45	4.17/106
P562319	CV-10P-5	4350	95	5	1-1/4" NPT	2.16/55	4.92/125
P562320	CV-10P-65	4350	95	65	1-1/4" NPT	2.16/55	4.92/125
P562321	CV-10S-5	4350	95	5	#20 SAE	2.16/55	4.92/125
P562322	CV-10S-65	4350	95	65	#20 SAE	2.16/55	4.92/125
P562323	CV-12P-5	4350	130	5	1-1/2" NPT	2.56/65	5.51/140
P562324	CV-12P-65	4350	130	65	1-1/2" NPT	2.56/65	5.51/140
P562325	CV-12S-5	4350	130	5	#24 SAE	2.56/65	5.51/140
P562326	CV-12S-65	4350	130	65	#24 SAE	2.56/65	5.51/140
P562327	CV-16P-5	2900	200	5	2" NPT	2.95/75	6.30/160
P562328	CV-16P-65	2900	200	65	2" NPT	2.95/75	6.30/160
P562329	CV-16S-5	2900	200	5	#32 SAE	2.95/75	6.30/160

Ball Valves - Low Pressure

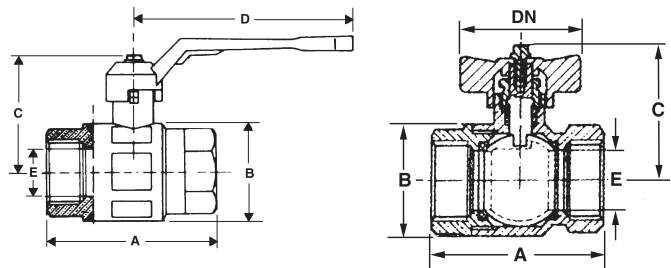
Description:

Hot pressed brass body and ball OT 58
Materials (ball and body): BV Series
chromium plated
Aluminum handle
Teflon seals (ball and stem)



Features

Low pressure ball valves are rated for water, oil or gas (WOG) applications. Two-way/two-position, quarter turn operation. Full-ported sizes from 1/4" to 2" NPT. T-handle available on some models. Suitable for temperatures from -22°F to 350°F (-30°C to 162°C).



Donaldson Part No.	LHA Part No.	Max. Working Pressure (PSI)	Port Thread	A (in./mm)	B (in./mm)	C (in./mm)	D (in./mm)	E (in./mm)	DN (T-handle) (in./mm)
P562331	BV-04-N	710	1/4" NPT	1.89/48	0.98/25	1.69/43	3.15/80	0.40/10	-
P562333	BV-06-N	710	3/8" NPT	1.89/48	0.98/25	1.69/43	3.15/80	0.40/10	-
P562334	BV-06-N-T	710	3/8" NPT	1.89/48	0.98/25	1.69/43	-	0.40/10	2.1/54
P562336	BV-08-N	710	1/2" NPT	2.00/51	1.22/31	1.77/45	3.15/80	0.60/15	-
P562337	BV-08-N-T	710	1/2" NPT	2.00/51	1.22/31	1.77/45	-	0.60/15	2.1/54
P563311	BV-12-N	570	3/4" NPT	2.24/57	1.46/37	2.36/60	4.44/113	0.80/20	-
P562338	BV-16-N	570	1" NPT	2.75/70	1.81/46	2.48/63	4.44/113	1.00/25	-
P562339	BV-20-N	430	1-1/4" NPT	3.15/80	2.24/57	3.11/79	5.43/138	1.25/32	-
P562341	BV-24-N	430	1-1/2" NPT	3.66/93	2.75/70	3.27/83	5.43/138	1.57/40	-
P562343	BV-32-N	360	2" NPT	4.41/112	3.31/84	3.94/100	6.22/158	1.97/50	-
P562345	BV-40-N ¹	260	2-1/2" NPT	5.31/135	3.82/97	3.98/101	7.75/197	2.12/54	-
P562346	BV-48-N ¹	230	3" NPT	6.25/159	4.80/122	5.08/129	9.84/250	2.56/65	-
P562347	BV-64-N ¹	200	4" NPT	6.89/175	5.63/143	5.39/137	9.84/250	3.15/80	-

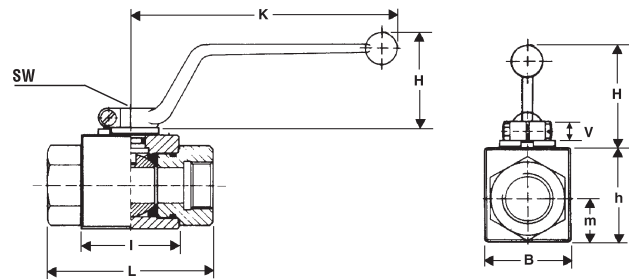
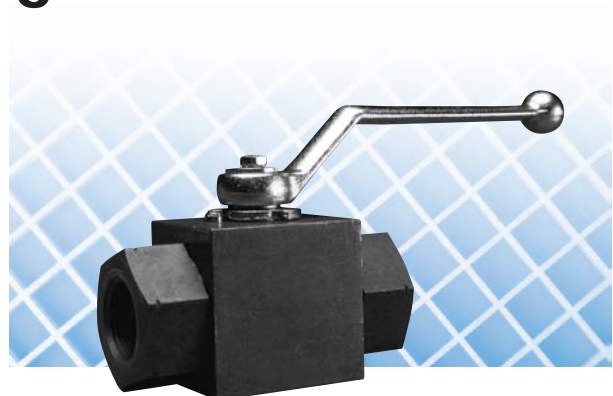
Replacement handles

Donaldson Part No.	LHA Part No.	Handle Style	Fits Valve Size
P562353	BVH-468	Standard	04-N, 06-N, 08-N
P562354	BVH-468-T	T Handle	04-N, 06-N, 08-N
P562348	BVH-1216	Standard	12-N, 16-N
P562349	BVH-1216-T	T Handle	12-N, 16-N
P562350	BVH-20	Standard	20-N
P562351	BVH-2432	Standard	24-N, 32-N
P562352	BVH-40	Standard	40-N
P562355	BVH-4864	Standard	48-N, 64-N

Ball Valves - Medium/High Pressure

Description:

Steel body
 Brass ball with chrome plating
 (MBV-04 thru MBV-16)
 Steel ball with chrome plating
 (HBV, MBV-20 thru MBV-32)
 Steel zinc stem (MBV)
 Delrin ball seal
 Stem seal: Buna-N (MBV); Viton (HBV)
 Aluminum handles on HBV larger sizes



Features

Medium duty (MBV) and high pressure (HBV) ball valves are compatible with petroleum-based fluids. Two-way, two-position valves are suited for on/off control. Optional locking tabs provide added safety. Valves come standard with bent handles; straight handles are available for some models. Operating temperatures from -22°F to 212°F / -30°C to 100°C.

Medium Duty Ball Valves - MBV

Donaldson Part No.	LHA Part No.	Port Thread	Pressure (PSI)	L (in./mm)	I (in./mm)	B (in./mm)	H (in./mm)	h (in./mm)	m (in./mm)	V (in./mm)	SW (in./mm)	K (in./mm)
P562387	MBV-04-N	1/4" NPT	7250	2.7/69	1.4/36	1.0/26	1.7/43	1.3/32	0.5/12.5	0.4/11	0.4/9	4.6/118
P562388	MBV-04-S	7/16-20 SAE	7250	2.7/69	1.4/36	1.0/26	1.7/43	1.3/32	0.5/12.5	0.4/11	0.4/9	4.6/118
P563308	MBV-06-N	3/8" NPT	7250	3.1/79	1.7/43	1.3/32	1.7/43	1.5/38	0.7/17.5	0.4/11	0.4/9	4.6/118
P562389	MBV-06-S	9/16-18 SAE	7250	3.1/79	1.7/43	1.3/32	1.7/43	1.5/38	0.7/17.5	0.4/11	0.4/9	4.6/118
P562390	MBV-08-N	1/2" NPT	7250	4.1/104	1.9/48	1.4/35	1.7/43	1.6/40	0.75/19	0.4/11	0.4/9	4.6/118
P563309	MBV-08-S	3/4-16 SAE	7250	4.1/104	1.9/48	1.4/35	1.7/43	1.6/40	0.75/19	0.4/11	0.4/9	4.6/118
P562391	MBV-12-N	3/4" NPT	4500	4.3/109	2.4/62	1.9/49	2.3/58	2.2/57	1.0/24.5	0.6/14	0.6/14	7.2/182
P562392	MBV-12-S	1-1/16-12 SAE	4500	4.3/109	2.4/62	1.9/49	2.3/58	2.2/57	1.0/24.5	0.6/14	0.6/14	7.2/182
P562393	MBV-12-S-SH	1-1/16-12 SAE	4500	4.3/109	2.4/62	1.9/49	na	2.2/57	1.0/24.5	0.6/14	0.6/14	7.2/182
P562394	MBV-16-N	1" NPT	4500	4.6/117	2.6/66	2.3/58	2.3/58	2.6/65	1.2/29.5	0.6/14	0.6/14	7.2/182
P562395	MBV-16-S	1-5/16-12 SAE	4500	4.6/117	2.6/66	2.3/58	2.3/58	2.6/65	1.2/29.5	0.6/14	0.6/14	7.2/182
P562396	MBV-20-N	1-1/4" NPT	5000	4.3/110	3.2/80	3.0/76	2.3/58	3.3/84	1.5/38	0.6/15	0.7/17	8.5/218
P562397	MBV-20-S	1-5/8-12 SAE	5000	4.3/110	3.2/80	3.0/76	2.3/58	3.3/84	1.5/38	0.6/15	0.7/17	8.5/218
P562398	MBV-24-N	1-1/2" NPT	5000	5.1/130	3.3/85	3.6/92	2.3/58	3.9/99	1.8/46	0.6/15	0.7/17	8.5/218
P563310	MBV-24-S	1-7/8-12 SAE	5000	5.1/130	3.3/85	3.6/92	2.3/58	3.9/99	1.8/46	0.6/15	0.7/17	8.5/218
P562399	MBV-32-N	2" NPT	5000	5.5/140	3.9/100	4.2/106	2.3/58	4.4/111	2.1/53	0.6/15	0.7/17	8.5/218
P562400	MBV-32-S	2-1/2-12 SAE	5000	5.5/140	3.9/100	4.2/106	2.3/58	4.4/111	2.1/53	0.6/15	0.7/17	8.5/218

High Pressure Ball Valves - HBV

Donaldson Part No.	LHA Part No.	Port Thread	Pressure (PSI)	L (in./mm)	I (in./mm)	B (in./mm)	H (in./mm)	h (in./mm)	m (in./mm)	V (in./mm)	SW (in./mm)	K (in./mm)
P562356	HBV-04-N	1/4" NPT	7250	2.7/69	1.4/36	1.0/26	1.7/43	1.3/32	0.5/12.5	0.4/11	0.4/9	4.6/118
P562357	HBV-04-S	7/16-20 SAE	7250	2.7/69	1.4/36	1.0/26	1.7/43	1.3/32	0.5/12.5	0.4/11	0.4/9	4.6/118
P562358	HBV-06-N	3/8" NPT	7250	3.1/79	1.7/43	1.3/32	1.7/43	1.5/38	0.7/17.5	0.4/11	0.4/9	4.6/118
P562359	HBV-06-S	9/16-18 SAE	7250	3.1/79	1.7/43	1.3/32	1.7/43	1.5/38	0.7/17.5	0.4/11	0.4/9	4.6/118
P562360	HBV-08-N	1/2" NPT	7250	4.1/104	1.9/48	1.4/35	1.7/43	1.6/40	0.75/19	0.4/11	0.4/9	4.6/118
P562361	HBV-08-S	3/4-16 SAE	7250	4.1/104	1.9/48	1.4/35	1.7/43	1.6/40	0.75/19	0.4/11	0.4/9	4.6/118
P562362	HBV-12-N	3/4" NPT	4500	4.3/109	2.4/62	1.9/49	2.3/58	2.2/57	1.0/24.5	0.6/14	0.6/14	7.2/182
P562363	HBV-12-S	1-1/16-12 SAE	4500	4.3/109	2.4/62	1.9/49	2.3/58	2.2/57	1.0/24.5	0.6/14	0.6/14	7.2/182
P562364	HBV-16-N	1" NPT	4500	4.6/117	2.6/66	2.3/58	2.3/58	2.6/65	1.2/29.5	0.6/14	0.6/14	7.2/182
P562365	HBV-16-S	1-5/16-12 SAE	4500	4.6/117	2.6/66	2.3/58	2.3/58	2.6/65	1.2/29.5	0.6/14	0.6/14	7.2/182
P562368	HBV-20-N	1-1/4" NPT	5000	4.3/110	3.2/80	3.0/76	2.3/58	3.3/84	1.5/38	0.6/15	0.7/17	8.5/218
P562369	HBV-20-S	1-5/8-12 SAE	5000	4.3/110	3.2/80	3.0/76	2.3/58	3.3/84	1.5/38	0.6/15	0.7/17	8.5/218
P562370	HBV-24-N	1-1/2" NPT	5000	5.1/130	3.3/85	3.6/92	2.3/58	3.9/99	1.8/46	0.6/15	0.7/17	8.5/218
P563315	HBV-24-S	1-7/8-12 SAE	5000	5.1/130	3.3/85	3.6/92	2.3/58	3.9/99	1.8/46	0.6/15	0.7/17	8.5/218
P563317	HBV-32-N	2" NPT	5000	5.5/140	3.9/100	4.2/106	2.3/58	4.4/111	2.1/53	0.6/15	0.7/17	8.5/218
P563318	HBV-32-S	2-1/2-12 SAE	5000	5.5/140	3.9/100	4.2/106	2.3/58	4.4/111	2.1/53	0.6/15	0.7/17	8.5/218

Replacement Parts

Handles

Donaldson Part No.	LHA Part No.	Style	Valve Size
P562376	HBVH-040608	Bent Handle	04, 06, 08
P562377	HBVH-1216	Bent Handle	12, 16
P562378	HBVH-202432	Bent Handle	20, 24, 32
P562385	HBVH-1216-STR	Straight handle	12, 16
P562386	HBVH-202432-STR	Straight handle	20, 24, 32

Lock Device Kits

Donaldson Part No.	LHA Part No.	Valve Size
P562332	LD-1	04, 06, 08
P562335	LD-2	12, 16
P562340	LD-3	20, 24, 32

For use on MBV, HBV and 3W-HBV

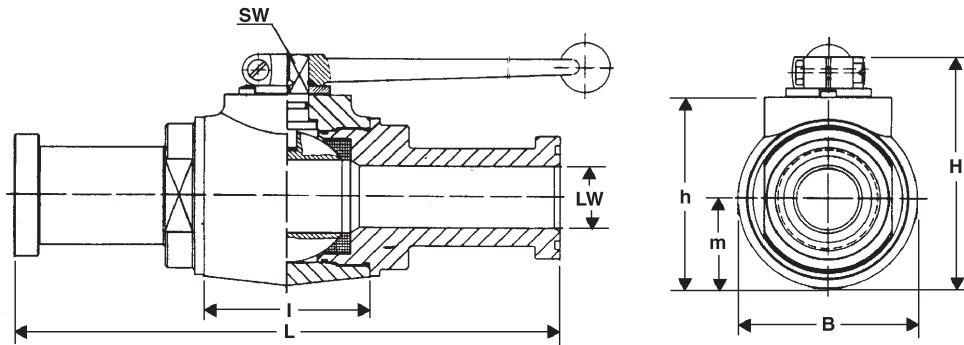
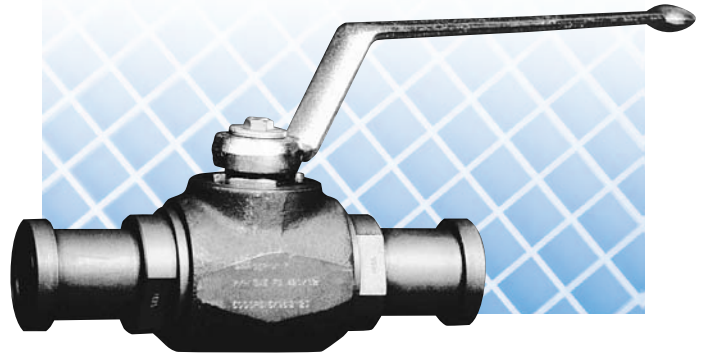
Seal Kit

Donaldson Part No.	LHA Part No.	Valve Size
P562379	HBV-SK-04	04
P562380	HBV-SK-06	06
P562629	HBV-SK-08	08
P562630	HBV-SK-12	12
P562381	HBV-SK-16	16
P562382	HBV-SK-20	20
P562383	HBV-SK-24	24
P562384	HBV-SK-32	32

Split Flange Ball Valves

Description:

Steel body
 Steel, hard chromium plated ball
 Compatible with petroleum based fluids
 Suitable for temperatures from
 -22°F to +212°F / -30°C to +100°C
 Polyamide ball seals
 BunaN O-Rings



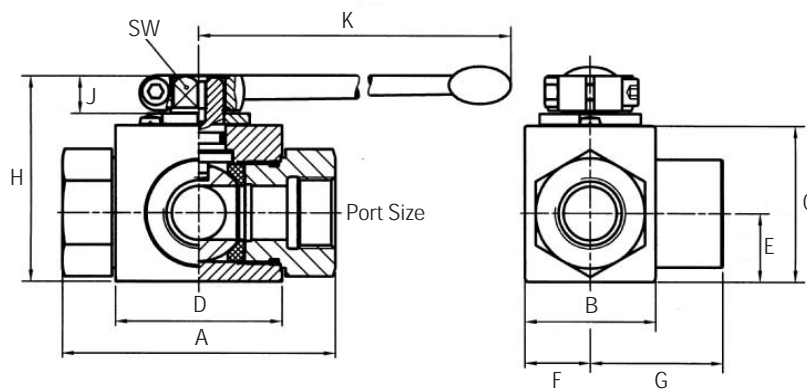
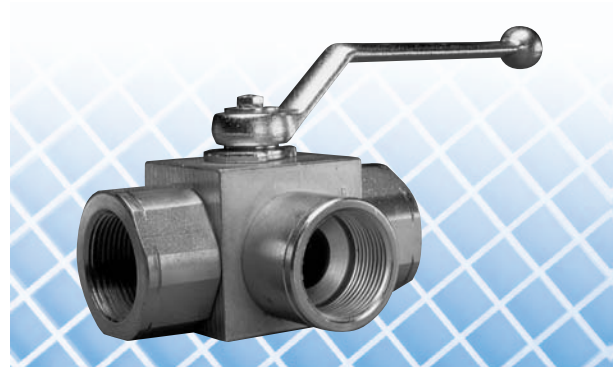
Split Flange Medium and High Pressure Ball Valves (Code 61 and 62)

Donaldson Part No.	LHA Part No.	Port Size	Working Pressure (PSI)	Pressure Rating	LW (in./mm)	B (in./mm)	L (in./mm)	l (in./mm)	H (in./mm)	h (in./mm)	m (in./mm)	SW (in./mm)
P563312	HBV-12-SF3	3/4"	3000	Code 61	0.75/19	1.92/49	6.38/162	2.44/62	2.95/75	2.20/57	0.96/24.5	0.55/14
P562366	HBV-16-SF3	1"	3000	Code 61	0.98/25	2.28/58	7.00/178	2.60/66	3.27/83	2.56/65	1.16/29.5	0.55/14
P562367	HBV-16-SFX6	1"	4500	Code 62	0.86/22	2.28/58	7.79/198	2.60/66	3.27/83	2.56/65	1.16/29.5	0.55/14
P563313	HBV-20-SF3	1-1/4"	3000	Code 61	1.18/30	3.19/81	7.52/191	3.15/80	4.21/107	3.39/86	1.60/40.5	0.67/17
P563314	HBV-20-SFX6	1-1/4"	5000	Code 62	1.06/27	3.19/81	9.13/232	3.15/80	4.21/107	3.39/86	1.60/40.5	0.67/17
P563316	HBV-24-SFX6	1-1/2"	5000	Code 62	1.26/32	3.94/100	11.08/281	3.35/85	4.88/124	4.06/103	1.97/50	0.67/17
P563319	HBV-32-SF3	2"	3000	Code 61	1.89/48	4.65/118	9.13/232	3.94/100	5.43/138	4.61/117	2.32/59	0.67/17
P563320	HBV-32-SFX6	2"	6000	Code 62	1.77/45	4.65/118	12.44/316	3.94/100	5.43/138	4.61/117	2.32/59	0.67/17

Three-Way Selector Ball Valve

Description:

Maximum pressure 7250 *psi* / 500 bar
 Steel construction
 Operating temperature
 -22°F to 212°F / -30°C to 100°C



Donaldson Part No.	LHA Part No.	Port Size	Max Pressure	A (in./mm)	B (in./mm)	C (in./mm)	D (in./mm)	E (in./mm)	F (in./mm)	G (in./mm)	H (in./mm)	J (in./mm)	K (in./mm)	SW (in./mm)
P562342	3W-HBV-08-N	1/2" NPT	7250 psi 50000 kPa	4.09 104	1.50 38	1.57 40	1.89 48	0.75 19	0.69 17.5	1.63 41.5	2.13 54	0.43 11	4.53 115	0.3 9
P562344	3W-HBV-12-N	3/4" NPT	4500 psi 31028 kPa	4.02 102	2.05 52	2.24 57	2.44 62	0.96 24.5	0.96 24.5	1.87 47.5	2.95 75	0.55 14	7.87 200	0.55 14
P562404	3W-HBV-16-N	1" NPT	4500 psi 31028 kPa	4.69 119	2.40 61	2.56 65	2.60 66	1.16 29.5	1.14 29	2.22 56.5	3.27 83	0.55 14	7.87 200	0.55 14
P562405	3W-HBV-16-S	SAE -16	4500 psi 31028 kPa	4.72 120	2.80 71	3.33 84.5	3.19 81	1.54 39	1.54 39	2.36 60	4.17 106	0.65 16.5	12.60 320	0.67 17
P562406	3W-HBV-20-N	1-1/4" NPT	5000 psi 34500kPa	4.72 120	2.80 71	3.33 84.5	3.19 81	1.54 39	1.54 39	2.36 60	4.17 106	0.65 16.5	12.60 320	0.67 17
P562407	3W-HBV-24-N	1-1/2" NPT	5000 psi 34500kPa	5.51 140	3.74 95	4.17 106	4.09 104	2.09 53	2.09 53	2.76 70	5.00 127	0.65 16.5	12.60 320	0.67 17

Operation:

Open cross-over (no zero position)
 Pressure inlet only from port 2

