

FEATURES

The WL18 in-tank filter unit is an ideal choice for flows up to 200 gpm. The E018 service elements are interchangeable with Schroeder's 18L series elements. An optional weld ring provides an easy solution to insure a positive seal between housing and reservoir. The slotted cover makes for easy and efficient element change-outs. An optional secondary inlet port offers the use of a second return line or placement of a quick disconnect to add pre-filtered initial fill or make-up oil. These units can be top or side reservoir mounted. Use the optional anti-backflow valve when installing this filter assembly to side of reservoir. Five standard grades of media are offered down to 4.0µ(c).

Western Filter elements are compatible with petroleum oils, water glycol, oil/water, HWCF and synthetic fluids.

Our WL18 Series is interchangeable with similar competitive units but is capable of higher flow rates by utilizing Western Filter's new high-flow bypass valve.

Technical Data:

Maximum Working Pressure	200 psi (14 bar)
Rated Burst Pressure	300 psi max (21 bar)
Temperature Range	Operating
Buna N	-45°F to + 225°F (-45°C to + 107°C)
Viton	-20°F to + 250°F (-29°C to + 121°C)
Head and Cover Material	Aluminum
Canister Material	Steel
Weight	
Assembly length	6 16 lbs. (7,3 kg.)

WL18

200 gpm (568 l/min)

Available with reservoir
mounting weld ring

Replacement elements
available in C-Pak™

Dual pressure gauge ports

Optional second inlet port

Wide choice of gauges
and switches

Optional check valve

Easy to service
slotted cover



ACCESSORIES

Seal Kit - Buna N	P-233055-01
Seal Kit - E.P.R.	P-233055-02
Seal Kit - Viton	P-233055-03
Weld Ring	P-232964-01
Check Valve	P-138761
Diffusor	P-239291

Housing and Filter Element

Flow versus Pressure Drop

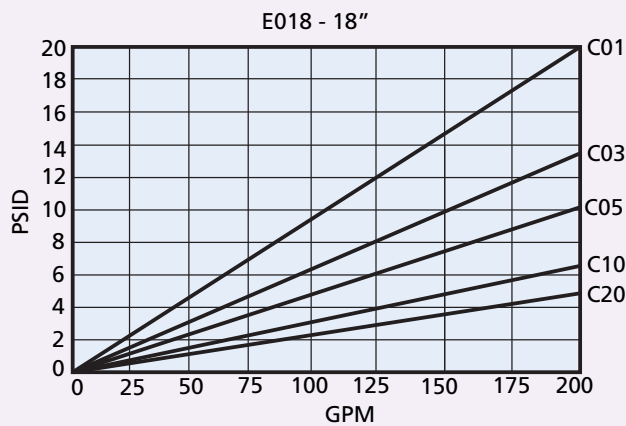
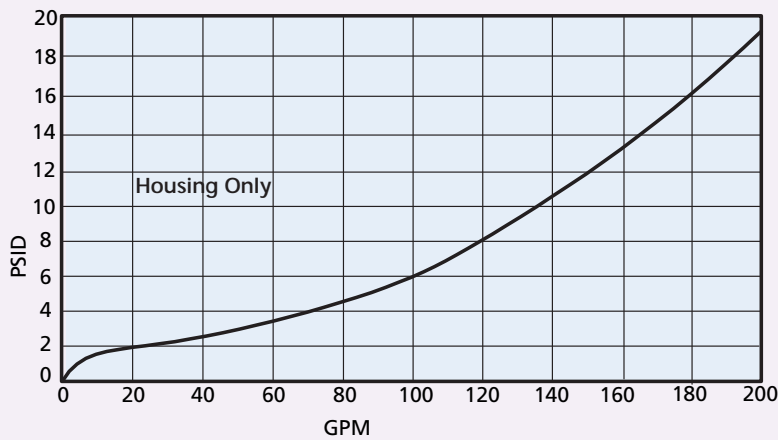
150 SUS (32 cSt.) oil with specific gravity ≤ 0.9

Viscosity Correction Formula

$$\Delta P \text{ Element} = \text{psid from catalog} \times \frac{\text{New Viscosity (SUS)}}{150} \times \frac{\text{New Specific Gravity}}{0.90}$$

$$\Delta P \text{ Housing} = \text{psid from catalog} \times \frac{\text{New Specific Gravity}}{0.90}$$

$$\Delta P \text{ Assembly} = \Delta P \text{ Element} + \Delta P \text{ Housing}$$



LOW PRESSURE SPIN-ON FILTERS

MEDIUM PRESSURE SPIN-ON FILTERS

IN-TANK FILTERS

LOW PRESSURE FILTERS

MEDIUM PRESSURE FILTERS

HIGH PRESSURE FILTERS

Filter Assembly	WL18	1	D	4	3	6	N	B	C	10
	TABLE 1	TABLE 2	TABLE 3	TABLE 4	TABLE 5	TABLE 6	TABLE 7	TABLE 8	TABLE 9	TABLE 10
Service Element	E018	1	B	6	C	10				
	TABLE 1	TABLE 2	TABLE 8	TABLE 6	TABLE 9	TABLE 10				

Table 1

Filter Assembly / Service Element	
CODE	DESCRIPTION
WL18	Assembly
E018	Element

Table 2

Element Collapse Options	
CODE	DESCRIPTION
1	150 psid

Table 3

Port Size Options	
CODE	PORT SIZE
J	2" SAE 4 Bolt Flange Code 61

Table 4

Bypass Setting Options	
CODE	BYPASS SETTING
3	25 psid
4	50 psid

Table 5

Upstream Pressure Gauge and Switch Option	
CODE	INDICATOR STYLE & SETTING
1	No indicator
2	0-200 psi pressure gauge
3	0-60 psi pressure gauge**
4	0-60 psi pressure gauge*
6	Pressure switch 18 psi Brad Harrison (5-pin)
7	Pressure switch 35 psi Brad Harrison (5-pin)
8	Pressure switch 18 psi Hirschmann (4-pin)
9	Pressure switch 35 psi Hirschmann (4-pin)

*Bypass setting option code 3 only
**Bypass setting option code 4 only

Table 6

Assembly & Element Length	
CODE (LGTH)	ELEMENT LENGTH
6 (16.7")	18"

Table 7

Secondary Port Options	
CODE	PORT SIZE
N	None
J	2" SAE 4 Bolt Flange Code 61

Table 8

Seal Options	
CODE	MATERIAL
B	Buna N
E	E.P.R.
V	Viton

Table 9

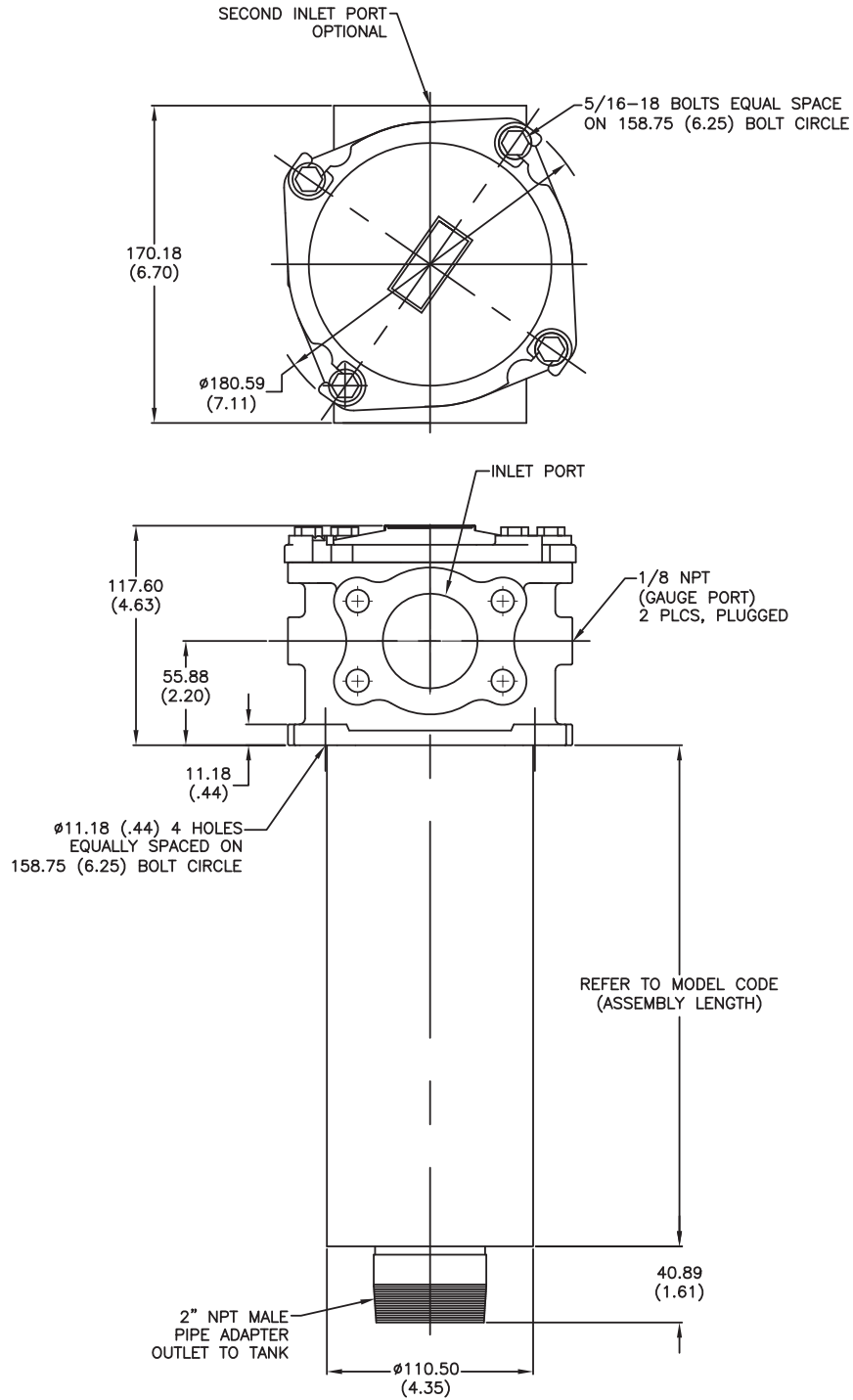
Element Code	
CODE	DESCRIPTION
C	(Glass) 01, 03, 05, 10, 20

Table 10

Media Rating	
CODE	TARGET FLUID CLEANLINESS LEVEL
01	Flushing only
03	16/14/12 or better
05	18/16/14 or better
10	20/18/15 or better
20	22/19/16 or better

Note: Information concerning fluid cleanliness codes is on page 6, the Media Grade Selection Guide.

Dimensions: millimeters/(inches)



LOW PRESSURE
SPIN-ON FILTERS

MEDIUM PRESSURE
SPIN-ON FILTERS

IN-TANK FILTERS

LOW PRESSURE FILTERS

MEDIUM PRESSURE FILTERS

HIGH PRESSURE FILTERS