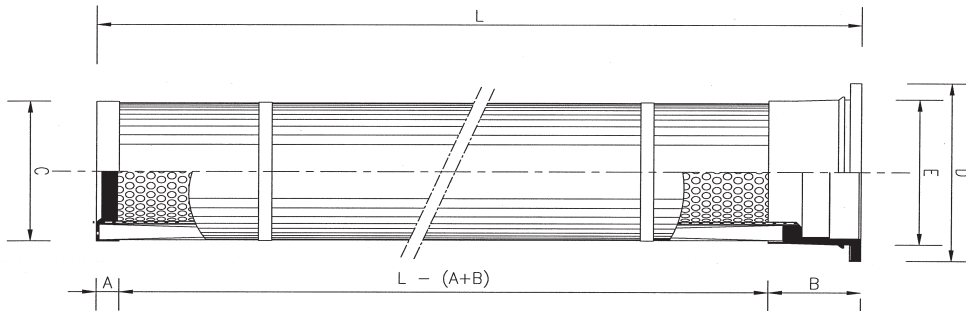


# Pleated bags: Top load



Top load (82°C)

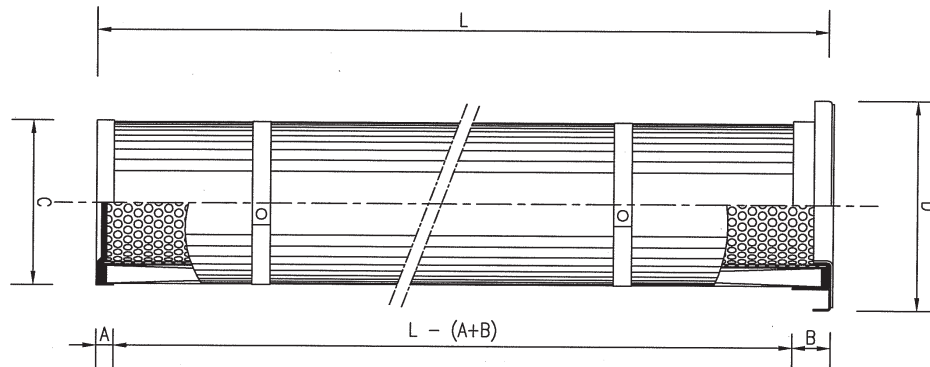


Poss tubesheet dia (mm)	Description(mm)	L (mm)	Surface (m <sup>2</sup> )
E = 127	A = 20	575	0.58
E = 128,5	B = 81	1083	1.20
E = 130	C = 119	1591	1.80
	D = 158.8	2099	2.45
E = 152.4	A = 20	575	0.84
E = 154	B = 81	1083	1.75
E = 155.5	C = 149.4	1591	2.65
E = 157	D = 190.5	2099	3.56
E = 158.7			
E = 160			

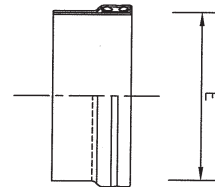
L (mm)	Media Possibilities		
	UW SB	Torit-Tex	Bondura
575	x	x	
1083	x	x	
1591	x	x	
2099		x	x



**Top load High Temp (121°C)**



**Snapping with  
needlefelt cuff**



Poss tubesheet dia (mm)	Description(mm)	L (mm)	Surface (m <sup>2</sup> )
E = 127	A = 15	575	0.58
E = 128,5	B = 35	1083	1.20
E = 130	C = 119	1591	1.80
	D = 158.8	2099	2.45
<hr/>			
E = 152.4	A = 15	575	0.84
E = 154	B = 35	1083	1.75
E = 155.5	C = 149.4	1591	2.65
E = 157	D = 190.5	2099	3.56
E = 158.7			
E = 160			

Media Possibilities		
L (mm)	UW SB	Bondura
575	x	
1083	x	
1591	x	
2099		x